



INTEROPERABILITY UNIT

TAP TSI: ANNEX B.4

**IMPLEMENTATION GUIDE FOR EDIFACT MESSAGES COVERING TIMETABLE DATA EX-
CHANGE**

REFERENCE: ERA/TD/2009-07/INT

DOCUMENT TYPE: TECHNICAL DOCUMENT

VERSION: 1.4.3 FINAL

TAP TSI

DATE: 15.12.2022

AMENDMENT RECORD

| Version | Date | Section number | Modification/description |
|----------------|-------------|-----------------------|---|
| 1.1 | 05.05.2011 | All sections | First release |
| 1.1.1 | 27.09.2011 | SKDUPD, TSDUPD | <ul style="list-style-type: none">- Geographical coordinates for railway stations are mandatory- Border stations and significant stations for fare calculation must be indicated with their passing time |
| 1.2 | 15.01.2013 | TSDUPD | <ul style="list-style-type: none">- Link of stations with two location name codes |
| 1.3 | 18.11.2014 | TSDUPD | <ul style="list-style-type: none">- Data model and calculation rules for minimum connection time |
| 1.4.1 | 15.06.2021 | SKDUPD | <ul style="list-style-type: none">- SKDUPD/Level 1/Group 2/PRD/3036 to provide information about the reservation system |
| 1.4.3 | 15.12.2022 | TSDUPD | <ul style="list-style-type: none">- Level 4 - Group 6 - SER - Facility information – add term stations manager |

Introduction

The present document belongs to the set of Technical Documents described in Annex III 'List of Technical Documents referenced in this TSI' of the COMMISSION REGULATION (EU) No 454/2011.

Implementation guide for EDIFACT messages covering timetable data exchange

Application

With effect from 08 March 2012.

All actors of the European Union falling under the provisions of the TAP TSI.

Table of contents

| | | |
|----------|---|----------|
| 1 | Technical Document summary | 7 |
| 1.1 | Purpose of the Technical Document..... | 7 |
| 1.2 | Scenario | 7 |
| 1.3 | Description of a guide | 7 |
| 2 | Technical Document body | 8 |
| 2.1 | REFERENCES AND CONTACTS..... | 8 |
| 2.1.1 | References | 8 |
| 2.2 | SCENARIO..... | 8 |
| 2.2.1 | Bulk timetable data exchange..... | 8 |
| 2.3 | SERVICE SEGMENTS..... | 8 |
| 2.3.1 | General..... | 8 |
| 2.3.2 | Railway use of service segments | 9 |
| 2.4 | IMPLEMENTATION GUIDE BY MESSAGE | 11 |
| 2.4.1 | SKDUPD..... | 11 |
| 2.4.2 | TSDUPD..... | 42 |

1 Technical Document summary

1.1 Purpose of the Technical Document

This Technical Document sets implementation guides for EDIFACT messages used for the exchange of timetable data by the railway community in the passenger sector.

1.2 Scenario

This part describes all scenarios in which the messages presented in this Technical Document may be used.

1.3 Description of a guide

A guide is established for one and only one message based on a version of EDIFACT directories. It contains the following parts:

- definition and functionality
- message structure: branching diagram and segments table
- segment specifications
- message examples
- updates according to EDIFACT directories

2 Technical Document body

2.1 REFERENCES AND CONTACTS

2.1.1 References

- REGULATION (EU) No 454/2011 "Technical specification for interoperability relating to the subsystem 'telematics applications for passenger services' of the trans-European rail system"
- UN/EDIFACT - ISO 9735 - Version 4 - Parts 1 and 3
- UN/TRADE/WP.4/R.1237 (17 July 1996)
UN/EDIFACT INTERACTIVE MESSAGE DESIGN GUIDELINES
- UN/EDIFACT Standard Directory D.04A
- Reference Table "DIRECTORY OF PASSENGER CODE LISTS FOR THE ERA TECHNICAL DOCUMENTS USED IN TAP TSI". This document contains all the code lists referred to in this Technical Document.

2.2 SCENARIO

2.2.1 Bulk timetable data exchange

According to the Basic Parameter 4.2.1 of REGULATION (EU) No 454/2011 "Technical specification for interoperability relating to the subsystem 'telematics applications for passenger services' of the trans-European rail system", each RU subject to the Regulation shall make available all its timetables by guaranteeing access to all RUs or to third parties which are authorized to use and to all authorised public bodies.

In order to fulfil this obligation each RU subject to the Regulation shall make available its timetables on one or more IT systems. The technical standards defining how to inform the authorised users that a new version of the timetables was made available, or how to ensure that only authorised users can download the data, shall be defined during the SEDP phase of the Regulation (Strategic European Deployment Plan). This technical Document only describes in which format the timetable data must be made available. In particular two messages are used (as defined by the UN/EDIFACT Board):

| | |
|--------|---|
| SKDUPD | This message is used within the Travel, Tourism and Leisure industry to make available or transmit transport timetable information. |
| TSDUPD | This message provides static data complementary to the travel timetable information conveyed by a SKDUPD (Schedule Update) message, such as information about locations related to the schedules. |

2.3 SERVICE SEGMENTS

2.3.1 General

The service segments used in an I-EDI environment are:

UIB - Interactive Interchange Header

UIH - Interactive Message Header

UIT - Interactive Message Trailer

UIZ - Interactive Interchange Trailer

For Service Segment specifications, see ISO 9735-1.

For a description of an I-EDI transaction see ISO 9735-3.

Note: for compatibility reasons with the UN/EDIFACT messages, all elements of each segment are shown in the following, with the mention "Not applicable" if not to be used for the scope of this Technical Document.

2.3.2 Railway use of service segments

Legend for tables contained in this section:

| | |
|----------|---|
| Tag | = Composite or data element tag as applicable (first column for composite or stand-alone data elements, second column for component data elements) |
| Name | = Composite or data element name as applicable |
| St | = Status: C = conditional, M = mandatory |
| Rp | = Maximum number of repeats |
| Frmt | = Format |
| Comments | = Implementation comments. Possible indications are: <ul style="list-style-type: none"> • Mandatory: the composite or data element, while declared “conditional” is mandatory for railway use • Value = xxx (xxx being a value to be introduced for railway use of the message) • Values = xxx to yyy (one out the range of values from xxx through yyy is to be introduced for railway use of the message) • Not applicable (this data element or composite is not applicable for railway use of the message) • See code list (the value is to be chosen from the code list for the concerned data element in ERA Technical Document xxx) • See code list - Value(s) = xxx (to yyy) (the value is chosen from the code list for a given data element in ERA Technical Document xxx , but has to be one of the range given in the value clause (xxx to yyy)) |

Note: only the UIB and UIZ segments are described in this section. UIH and UIT are included in Section 4.

2.3.2.1 UIB - Interactive Interchange Header

Function To head and identify an interchange.

| Tag | Tag | Name | St | Rp | Frmt | Comments |
|------|------|--|----|----|--------|--|
| S001 | | SYNTAX IDENTIFIER | M | 1 | | |
| | 0001 | Syntax identifier | M | | a4 | Value = UNOB |
| | 0002 | Syntax version number | M | | an1 | Value = 4 |
| | 0080 | Service code list directory version number | C | | an..6 | Not applicable |
| | 0133 | Character encoding, coded | C | | an..3 | Not applicable |
| S302 | | DIALOGUE REFERENCE | M | 1 | | |
| | 0300 | Initiator control reference | M | | an..35 | Sequence number allocated to the dialogue by the initiator |
| | 0303 | Initiator reference identification | C | | an..35 | Not applicable |
| | 0051 | Controlling agency, coded | C | | an..3 | Not applicable |
| | 0304 | Responder control reference | C | | an..35 | Not applicable |
| S303 | | TRANSACTION REFERENCE | C | 1 | | |
| | 0306 | Transaction control reference | M | | an..35 | Not applicable |
| | 0303 | Initiator reference identification | C | | an..35 | Not applicable |
| | 0051 | Controlling agency, coded | C | | an..3 | Not applicable |
| S018 | | SCENARIO IDENTIFICATION | C | 1 | | |
| | 0127 | Scenario identification | C | | an..14 | |
| | 0128 | Scenario version number | C | | an..3 | |
| | 0130 | Scenario release number | C | | an..3 | |
| | 0051 | Controlling agency, coded | C | | an..3 | |
| S305 | | DIALOGUE IDENTIFICATION | C | 1 | | |
| | 0311 | Dialogue identification | M | | an..14 | Values = 1 to 3 (see “dialogue types”) |
| | 0128 | Dialogue version number | C | | an..3 | Version number of the dialogue type |
| | 0130 | Dialogue release number | C | | an..3 | Release number of the version |
| | 0051 | Controlling agency, coded | C | | an..3 | |
| S002 | | INTERCHANGE SENDER | C | 1 | | |
| | 0004 | Interchange sender identification | M | | an..35 | See code list B.4.0004 |
| | 0007 | Identification code qualifier | C | | an..4 | |

European Railway Agency

ERA/TD/2009-07/INT: ANNEX B.4 of TAP TSI

| Tag | Tag | Name | St | Rp | Frmt | Comments |
|------|------|--|----|----|--------|---|
| | 0008 | Interchange sender internal identification | C | | an..35 | Not applicable |
| | 0042 | Interchange sender internal sub-identification | C | | an..35 | Not applicable |
| S003 | | INTERCHANGE RECIPIENT | C | 1 | | |
| | 0010 | Interchange recipient identification | M | | an..35 | See code list B.4.0010 |
| | 0007 | Identification code qualifier | C | | an..4 | |
| | 0014 | Interchange recipient internal identification | C | | an..35 | Not applicable |
| | 0046 | Interchange sender internal sub-identification | C | | an..35 | Not applicable |
| S300 | | DATE AND/OR TIME OF INITIATION | C | 1 | | |
| | 0338 | Event date | C | | n..8 | Date of preparation of the interchange dispatch (format = CCYYMMDD) |
| | 0314 | Event time | C | | an..15 | Time of preparation of the interchange (format = HHMMSS) |
| | 0336 | Time offset | C | | n4 | Not applicable |
| 0325 | | DUPLICATE INDICATOR | C | 1 | a1 | Not applicable |
| 0035 | | TEST INDICATOR | C | 1 | n1 | Value = 1 for test and omitted for production data |

Example `UIB+UNOB:4+DIALOG-0++TI-
TAN:1:1:ER+2:1:1:ER+0080:X001+0087:X001+
19970414:0802'`

2.3.2.2 UIZ - Interactive Interchange trailer

Function To end and check the integrity of an interchange.

| Tag | Tag | Name | St | Rp | Frmt | Comments |
|------|------|------------------------------------|----|----|--------|--|
| S302 | | DIALOGUE REFERENCE | C | 1 | | |
| | 0300 | Initiator control reference | M | | an..35 | Sequence number allocated to the dialogue by the initiator. Shall be identical to UIB/S302/0300. |
| | 0303 | Initiator reference identification | C | | an..35 | Not applicable |
| | 0051 | Controlling agency, coded | C | | an..3 | Not applicable |
| | 0304 | Responder control reference | C | | an..35 | Not applicable |
| 0036 | | INTERCHANGE CONTROL COUNT | C | 1 | n..6 | Number of messages in the interchange |
| 0325 | | DUPLICATE INDICATOR | C | 1 | a1 | Not applicable |

Example `UIZ+dialog-0+37'`

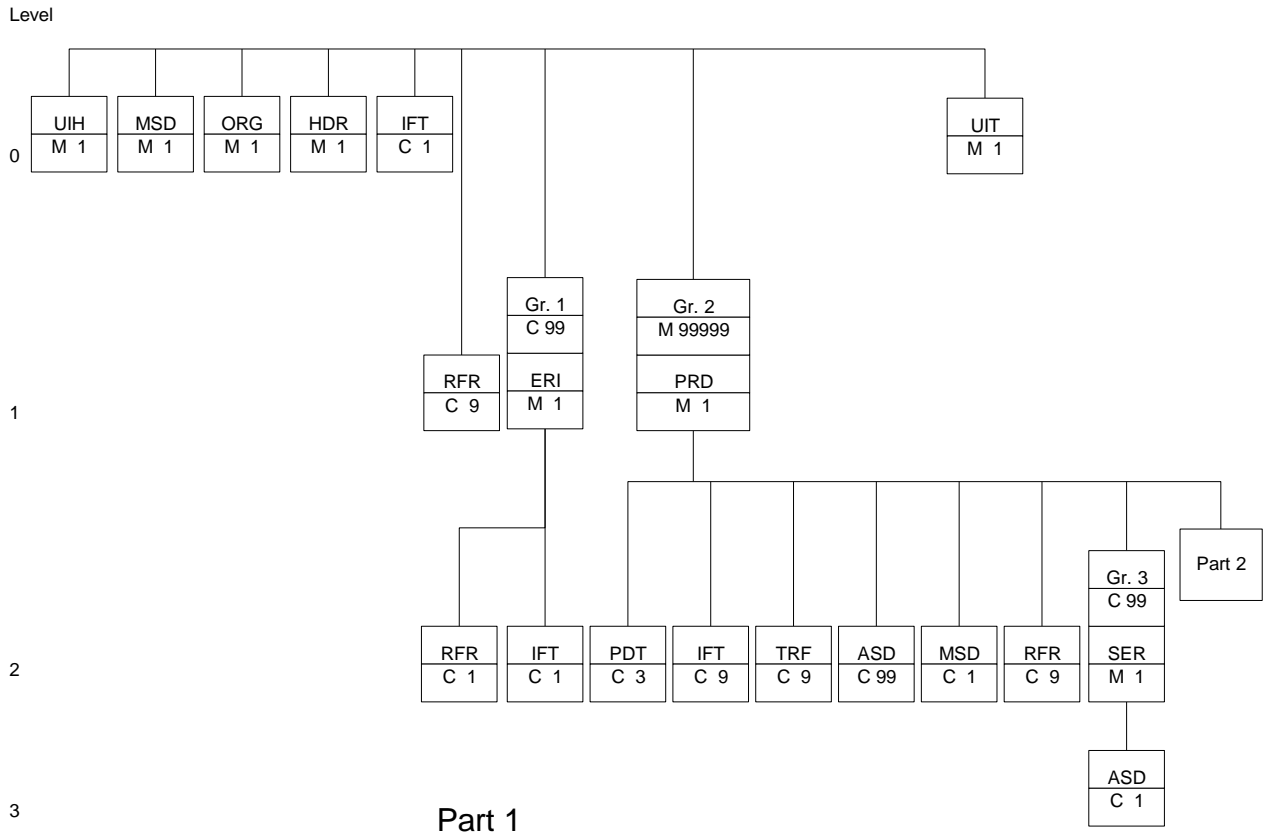
2.4 IMPLEMENTATION GUIDE BY MESSAGE

2.4.1 SKDUPD

2.4.1.1 Definition and functionality

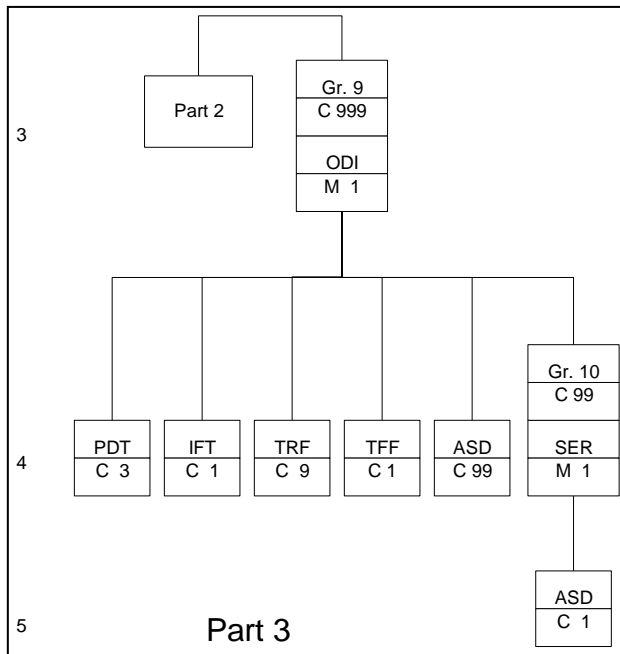
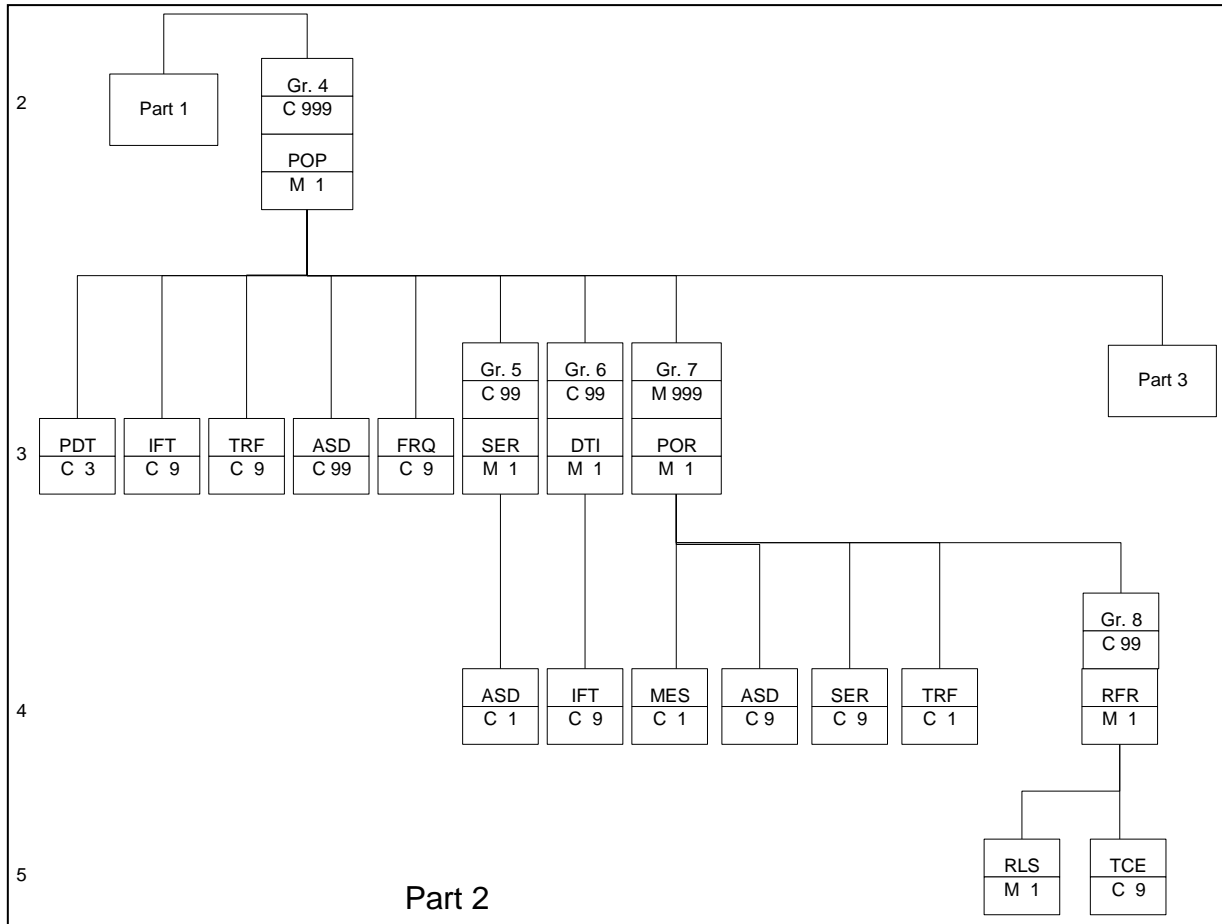
This message is used within the Travel, Tourism and Leisure industry to transmit transport bulk timetable information, or to request its re-transmission.

2.4.1.2 Branching Diagram



European Railway Agency

ERA/TD/2009-07/INT: ANNEX B.4 of TAP TSI



European Railway Agency

ERA/TD/2009-07/INT: ANNEX B.4 of TAP TSI

2.4.1.3 Segment table

| Pos | Tag Name | S | R |
|------|--|---|-------------|
| 0010 | UIH Interactive message header | M | 1 |
| 0020 | MSD Message action details | M | 1 |
| 0030 | ORG Originator of request details | M | 1 |
| 0040 | HDR Header information | M | 1 |
| 0050 | IFT Interactive free text | C | 1 |
| 0060 | RFR Reference | C | 9 |
| 0070 | ----- Segment group 1 ----- | C | 99-----+ |
| 0080 | ERI Application error information | M | 1 |
| 0090 | RFR Reference | C | 1 |
| 0100 | IFT Interactive free text | C | 1-----+ |
| 0110 | ----- Segment group 2 ----- | M | 99999-----+ |
| 0120 | PRD Product identification | M | 1 |
| 0130 | PDT Product information | C | 3 |
| 0140 | IFT Interactive free text | C | 9 |
| 0150 | TRF Traffic restriction details | C | 9 |
| 0160 | ASD Service details | C | 99 |
| 0170 | MSD Message action details | C | 1 |
| 0175 | RFR Reference | C | 9 |
| 0180 | ----- Segment group 3 ----- | C | 99-----+ |
| 0190 | SER Facility information | M | 1 |
| 0200 | ASD Service details | C | 1-----+ |
| 0210 | ----- Segment group 4 ----- | C | 999-----+ |
| 0220 | POP Period of operation | M | 1 |
| 0230 | PDT Product information | C | 3 |
| 0240 | IFT Interactive free text | C | 1 |
| 0250 | TRF Traffic restriction details | C | 9 |
| 0260 | ASD Service details | C | 99 |
| 0270 | FRQ Frequency | C | 9 |
| 0280 | ----- Segment group 5 ----- | C | 99-----+ |
| 0290 | SER Facility information | M | 1 |
| 0300 | ASD Service details | C | 1-----+ |
| 0310 | ----- Segment group 6 ----- | C | 99-----+ |
| 0320 | DTI Date and time information | M | 1 |
| 0330 | IFT Interactive free text | C | 9-----+ |
| 0340 | ----- Segment group 7 ----- | C | 999-----+ |
| 0350 | POR Location and/or related time information | M | 1 |
| 0360 | MES Measurements | C | 1 |
| 0370 | ASD Service details | C | 9 |
| 0380 | SER Facility information | C | 9 |
| 0390 | TRF Traffic restriction details | C | 1 |
| 0400 | ----- Segment group 8 ----- | C | 99-----+ |
| 0410 | RFR Reference | M | 1 |
| 0420 | RLS Relationship | C | 1 |
| 0430 | TCE Time and certainty | C | 9-----+ |
| 0440 | ----- Segment group 9 ----- | C | 999-----+ |
| 0450 | ODI Origin and destination details | M | 1 |
| 0460 | PDT Product information | C | 3 |

European Railway Agency

ERA/TD/2009-07/INT: ANNEX B.4 of TAP TSI

| | | | | |
|------|---------------------------------|---|----------|--|
| 0470 | IFT Interactive free text | C | 1 | |
| 0480 | TRF Traffic restriction details | C | 9 | |
| 0490 | TFF Tariff information | C | 1 | |
| 0500 | ASD Service details | C | 99 | |
| | | | | |
| 0510 | ----- Segment group 10 ----- | C | 99-----+ | |
| 0520 | SER Facility information | M | 1 | |
| 0530 | ASD Service details | C | 1-----+ | |
| 0540 | UIT Interactive message trailer | M | 1 | |

2.4.1.4 Segment specification

Level 0 - UIH - Interactive message header

Function To head, identify and specify a message.

| Tag | Tag | Name | St | Rp | Frmt | Comments |
|------|------|--|----|----|--------|--|
| S306 | | INTERACTIVE MESSAGE IDENTIFIER | M | 1 | | |
| | 0065 | Message type | M | | an..6 | Value = SKDUPD |
| | 0052 | Message version number | M | | an..3 | Version number of the message type (Value = D) |
| | 0054 | Message release number | M | | an..3 | Release number of the message type (Value = 04A) |
| | 0113 | Message type sub-function identification | C | | an..6 | Not applicable |
| | 0051 | Controlling agency, coded | C | | an..3 | Value = UN |
| | 0057 | Association assigned code | C | | an..6 | Not applicable |
| 0340 | | INTERACTIVE MESSAGE REFERENCE NUMBER | C | 1 | an..35 | Mandatory. Sequence number allocated by the sender. It identifies in a unique way the message within the interchange |
| S302 | | DIALOGUE REFERENCE | C | 1 | | Mandatory. The value(s) in S302 shall be identical to the value(s) in the S302 in the preceding UIB |
| | 0300 | Initiator control reference | M | | an..35 | Value shall be identical to UIB/S302/0300 |
| | 0303 | Initiator reference identification | C | | an..35 | Not applicable |
| | 0051 | Controlling agency, coded | C | | an..3 | Not applicable |
| | 0304 | Responder control reference | C | | an..35 | Not applicable |
| S301 | | STATUS OF TRANSFER - INTERACTIVE | C | 1 | | |
| | 0320 | Sender sequence number | C | | n..6 | Not applicable |
| | 0323 | Transfer position, coded | C | | a1 | Not applicable |
| | 0325 | Duplicate indicator | C | | a1 | Not applicable |
| S300 | | DATE AND/FOR TIME OF INITIATION | C | 1 | | |
| | 0338 | Event date | C | | n..8 | Not applicable |
| | 0314 | Event time | C | | an..15 | Not applicable |
| | 0336 | Time offset | C | | n4 | Not applicable |
| 0035 | | TEST INDICATOR | C | 1 | n1 | Not applicable |

Example UIH+SKDUPD:D:04A::UN+3040+dialog-0'.

Level 0 - MSD - Message action details

Function To specify the message processing requirements.

Railway use To convey delivery information (characteristic).

No more than one delivery characteristic, defined by business function (4025) and message function (1225), shall occur in a single dialogue delimited by UIB and UIZ.

| Tag | Tag | Name | St | Rp | Frmt | Comments |
|------|------|--------------------------------------|----|----|--------|--|
| E972 | | MESSAGE PROCESSING DETAILS | C | 1 | | |
| | 4025 | Business function code | C | | an..3 | Delivery characteristic (partial) Value = AAR (Rail related business). See code list B.4.4025. |
| | 1225 | Message function code | C | | an..3 | Delivery characteristic (partial) See code list B.4.1225 - Values = 61 or 62 (default = 61) |
| | 3055 | Code list responsible agency code | C | | an..3 | Not applicable |
| | 1225 | Message function code | C | | an..3 | Not applicable |
| | 1225 | Message function code | C | | an..3 | Not applicable |
| | 1225 | Message function code | C | | an..3 | Not applicable |
| | 1225 | Message function code | C | | an..3 | Not applicable |
| | 1225 | Message function code | C | | an..3 | Not applicable |
| | 1225 | Message function code | C | | an..3 | Not applicable |
| | 1225 | Message function code | C | | an..3 | Not applicable |
| | 1225 | Message function code | C | | an..3 | Not applicable |
| | 1225 | Message function code | C | | an..3 | Not applicable |
| 4343 | | RESPONSE TYPE CODE | C | 5 | an..3 | Not applicable |
| E206 | | OBJECT IDENTIFICATION | C | 5 | | |
| | 7402 | Object identifier | M | | an..35 | Not applicable |
| | 7405 | Object identification code qualifier | C | | an..3 | Not applicable |
| | 4405 | Status description code | C | | an..3 | Not applicable |

Example MSD+AAR:61'

European Railway Agency

ERA/TD/2009-07/INT: ANNEX B.4 of TAP TSI

Level 0 - ORG - Originator of request details

Function To indicate the originator of request details.

Railway use To convey delivery information (data provider, service provider).

| Tag | Tag | Name | St | Rp | Frmt | Comments |
|------|------|-----------------------------------|----|----|--------|--|
| E973 | | DELIVERING SYSTEM DETAILS | C | 1 | | Mandatory |
| | 3036 | Party name | C | | an..35 | Mandatory. Provider of the message, i.e. the company that sends the message. Use the code list B.4.3039 |
| | 3225 | Location name code | C | | an..25 | Not applicable |
| | 3224 | Location name | C | | an..70 | Not applicable |
| E974 | | ORIGINATOR IDENTIFICATION DETAILS | C | 1 | | |
| | 3197 | Agent identifier | C | | an..9 | Not applicable |
| | 3465 | In-house identifier | C | | an..9 | Not applicable |
| | 3197 | Agent identifier | C | | an..9 | Not applicable |
| | 3036 | Party name | C | | an..35 | Not applicable |
| E975 | | LOCATION | C | 1 | | |
| | 3225 | Location name code | C | | an..25 | Not applicable |
| | 3224 | Location name | C | | an..70 | Not applicable |
| | 3207 | Country name code | C | | an..3 | Not applicable |
| | 3227 | Location function code qualifier | C | | an..3 | Not applicable |
| 3036 | | PARTY NAME | C | 1 | an..35 | Mandatory. Provider of the timetable data, i.e. the company that creates the data. Use the code list B.4.3039. |
| 3457 | | ORIGINATOR TYPE CODE | C | 1 | an..3 | Not applicable |
| E976 | | ORIGINATOR DETAILS | C | 1 | | |
| | 3207 | Country name code | C | | an..3 | Not applicable |
| | 6345 | Currency identification code | C | | an..3 | Not applicable |
| | 3453 | Language name code | C | | an..3 | Not applicable |
| 3503 | | ACCESS AUTHORIZATION IDENTIFIER | C | 1 | an..9 | Not applicable |

Example ORG+0080+++0080'

Level 0 - HDR - Header information

Function To specify header information applicable to the entire message.

Railway use This segment is used to convey delivery information (status, reference, dates and time, etc.).

| Tag | Tag | Name | St | Rp | Frmt | Comments |
|------|-----|---------------------------|----|----|-------|--|
| 4405 | | STATUS DESCRIPTION CODE | M | 1 | an..3 | Delivery status. See code list B.4.4405 Values = 81, 21 or 113 |
| E013 | | DATE AND TIME INFORMATION | M | 4 | | The 4 occurrences of this composite may be used to specify the delivery's: <ul style="list-style-type: none"> • First and last date of validity • Date and time • Creation date • Delivery release date The qualifier (2005) specifies which of these functions the data element 2380 has. |

European Railway Agency

ERA/TD/2009-07/INT: ANNEX B.4 of TAP TSI

| Tag | Tag | Name | St | Rp | Frmt | Comments |
|------|------|--|----|----|---------|---|
| | 2005 | Date or time or period function code qualifier | M | | an..3 | See code list B.4.2005. Values = 11 = delivery date and time 45 = creation date and time 273 = first and last date of validity x = delivery release date |
| | 2380 | Date or time or period text | M | | an..35 | The following formats are to be used: <ul style="list-style-type: none"> delivery date/time and creation date/time: yyyy-mm-ddThhmm first and last date of validity: yyyy-mm-dd/yyyy-mm-dd |
| | 2379 | Date or time or period format code | C | | an..3 | Not applicable |
| | 4440 | Free text value | C | | an..512 | Not applicable |
| 1154 | | REFERENCE IDENTIFIER | C | 1 | an..35 | Delivery reference number. Mandatory if the message contains an update to a previous delivery or if it contains a complete delivery that may be the subject of subsequent update messages. Absent in all other cases. |
| 4440 | | FREE TEXT VALUE | C | 1 | an..512 | Delivery free format reference |
| 7135 | | PRODUCT IDENTIFIER | C | 2 | an..35 | Not applicable |
| 3453 | | LANGUAGE NAME CODE | C | 1 | an..3 | See code list ISO 639-1 |

Example HDR+81+273:1996-09-29/1997-05-31*11:1996-07-20T1422*45:1996-07-20T1422+0003'

Level 0 - IFT - Interactive free text

| | |
|--------------------|-----------------------------------|
| <i>Function</i> | To provide free form information. |
| <i>Railway use</i> | Not applicable. |

Level 1 - RFR - Reference

Function To specify a reference.

Railway use An occurrence of the RFR segment must be present if the message contains an update to a previous delivery. It shall refer to that previous delivery's reference. As such, it enables the recipient to check the chain of updates and to identify the delivery for which this message is an update. In all other cases the segment must be absent.

| Tag | Tag | Name | St | Rp | Frmt | Comments |
|------|------|-----------------------------------|----|----|--------|--|
| E506 | | REFERENCE | M | 1 | | |
| | 1153 | Reference function code qualifier | M | | an..3 | See code list B.4.1153. Value = AGX |
| | 1154 | Reference identifier | C | | an..35 | Mandatory. Reference of the previous delivery. |
| | 1156 | Document line identifier | C | | an..6 | Not applicable |
| | 4000 | Reference version number | C | | an..35 | Not applicable |
| | 3036 | Party name | C | | an..35 | Not applicable |

Example RFR+AGX:0002'

Level 1 - Group 1 - ERI - Application error information

Function To identify the type of application error within a message.

Railway use

- Not applicable.

Level 2 - Group 1 - IFT - Interactive free text

Function To provide free-form information.

European Railway Agency

ERA/TD/2009-07/INT: ANNEX B.4 of TAP TSI

Railway use This segment may be used to give a textual description of the error. Its use needs to be discussed.

| Tag | Tag | Name | St | Rp | Frmt | Comments |
|------|------|-----------------------------|----|----|---------|---|
| E971 | | FREE TEXT QUALIFICATION | C | 1 | | |
| | 4451 | Text subject code qualifier | M | | an..3 | See code list B.4.4451. Value = AAO |
| | 4473 | Information type code | C | | an..4 | Not applicable |
| | 4405 | Status description code | C | | an..3 | Not applicable |
| | 3036 | Party name | C | | an..35 | Not applicable |
| | 3453 | Language name code | C | | an..3 | See code list ISO 639-1 |
| 4440 | | FREE TEXT VALUE | C | 99 | an..512 | Mandatory. Textual description of the error. Only one occurrence of the data element is used. |

Example IFT+AAO::::EN+DEPARTURE TIME MISSING'

Level 1 - Group 2 - PRD - Product identification

Function To identify a product.

- Railway use*
- This segment triggers Group 2, which specifies information about the timetable of a given transport service (train service, bus service, etc.).
 - This segment identifies the transport service. The service is identified by concatenation of the party name (Service Provider) and product identification (Service number) elements. In a railway context, the transport service may be:
 - a conventional train or
 - a coach group, in which case the associated train service must be identified in the RFR segment of Group 8.

| Tag | Tag | Name | St | Rp | Frmt | Comments |
|------|------|--|----|----|--------|--|
| E989 | | PRODUCT IDENTIFICATION DETAILS | C | 9 | | Mandatory. One and only one occurrence of this composite is used. |
| | 7135 | Product identifier | C | | an..35 | Service number (e.g., train number). Defines, together with the service provider (E988/3036(1)), the service identification. See code list B.4.7135. |
| | 7037 | Characteristic description code | C | | an..17 | Service characteristic: here the status of reservations for the service, irrespective of the period of operation. See code list B.4.7037. Values = 11, 12, 13, 14, 15, 16, 17, 18, 19, 20, 21, 22, 23 The reservation status described in this segment must be applicable to <u>all the periods of operation</u> and to the <u>whole of the itineraries</u> . Period dependent reservation statuses must be described in group 4 (POP), while travel segment dependent reservation statuses must be described in Group 9 (ODI). |
| | 7139 | Product characteristic identification code | C | | an..3 | Pricing category. See code list B.4.7139. The tariff mode described in this segment must be applicable to <u>all the periods of operation</u> and to the <u>whole of the itineraries</u> . Period dependent tariff modes must be described in Group 4 (POP), while travel segment dependent tariff modes must be described in Group 9 (ODI). |

European Railway Agency

ERA/TD/2009-07/INT: ANNEX B.4 of TAP TSI

| Tag | Tag | Name | St | Rp | Frmt | Comments |
|------|------|-----------------------|----|----|--------|---|
| | 7009 | Item description code | C | | an..17 | Service mode.8, 9, 10, 11, 12, 13, 14, 15, and 16. Default = train (37). Mandatory if service mode is not train. Values =3, 31, 32, 33, 34, 35, 36. See code list B.4.7009 |
| | 7009 | Item description code | C | | an..17 | Not applicable |
| | 7009 | Item description code | C | | an..17 | Not applicable |
| | 9608 | Product name | C | | an..35 | Service name. |
| 3036 | | PARTY NAME | C | 6 | an..35 | The first occurrence is mandatory. Occurrences are used as follows: <ol style="list-style-type: none"> 1. Service provider. Use the code list B.4.3039. 2. Information provider (= party responsible for setting up the schedules, may be distinct from the service provider). Only present when different from the data provider in ORG. Use the code list B.4.3039 3. Reservation system. Use code list B.5.1. |

Example PRD+39:11::::Alexander von Humboldt+0080*0088'

Level 2 - Group 2 - PDT - Product information

Function To specify details related to a product such as configuration and availability.

Railway use This segment may be used to specify the service brand (e.g. ICE train, Talgo) when it remains constant, whatever the period of operation.

No more than one occurrence may be used. The segment is not used in case the service mode (7009/1) in PRD is coach group (value = 31).

| Tag | Tag | Name | St | Rp | Frmt | Comments |
|------|------|---|----|----|--------|--|
| 7133 | | PRODUCT DETAILS TYPE CODE QUALIFIER | C | 1 | an..3 | Not applicable |
| E996 | | PRODUCT CLASS DETAILS | C | 26 | | Mandatory. One and only one occurrence of this composite is used. |
| | 7037 | Characteristic description code | C | | an..17 | Not applicable |
| | 4510 | Requested information description | C | | an..35 | Not applicable |
| | 7161 | Special service description code | C | | an..3 | Not applicable |
| | 7009 | Item description code | C | | an..17 | Mandatory. Service brand. See code list B.4.7009 Values corresponding to a service mode (3 to 37) are not allowed. |
| | 7009 | Item description code | C | | an..17 | Not applicable |
| | 7009 | Item description code | C | | an..17 | Not applicable |
| | 7139 | Product description identification code | C | | an..3 | Not applicable |

Example PDT++:::62'

Level 2 - Group 2 - IFT - Interactive free text

Function To provide free-form information.

Railway use This segment may be used to give a free-text description of:

- The service characteristic;
- The service.

| Tag | Tag | Name | St | Rp | Frmt | Comments |
|------|------|-----------------------------|----|----|-------|--|
| E971 | | FREE TEXT QUALIFICATION | C | 1 | | |
| | 4451 | Text subject code qualifier | M | | an..3 | See code list B.4.4451. Value = PRD or AUJ |

European Railway Agency

ERA/TD/2009-07/INT: ANNEX B.4 of TAP TSI

| Tag | Tag | Name | St | Rp | Frmt | Comments |
|------|------|-------------------------|----|----|---------|--|
| | 4473 | Information type code | C | | an..4 | Not applicable |
| | 4405 | Status description code | C | | an..3 | Not applicable |
| | 3036 | Party name | C | | an..35 | Not applicable |
| | 3453 | Language name code | C | | an..3 | See code list ISO 639-1 |
| 4440 | | FREE TEXT VALUE | C | 99 | an..512 | Mandatory. Free-text description of the service characteristic or product name. Only one occurrence of the data element is used. |

Example IFT+PRD::::EN+HOLIDAY EXPRESS'
 IFT+AUY::::EN+RESERVATION COMPULSORY'

Level 2 - Group 2 - TRF - Traffic restriction details

| | |
|--------------------|---|
| <i>Function</i> | To convey certain restrictions that apply to a travel-related object. |
| <i>Railway use</i> | Not applicable |

Level 2 - Group 2 - ASD - Service details

Function To specify the time, date, location and additional characteristic information related to a service.

Railway use This segment may be used to specify any extra service available with the travel service. If the extra is only available for part of the period or on specific days of the week, this must be specified through DATE/TIME/PERIOD and DAYS OF WEEK SET IDENTIFIER. Note that the extra service described in this segment must be applicable to all the periods and to the whole of the itinerary. Period dependent services must be described in Group 4 (POP), while location dependent services must be described either in Group 6 (POR) or in Group 9 (ODI).

It is recommended to specify the extra services of the travel service in the segment ASD of segment group 4 rather than in this segment.

The ASD segment can describe only one service. Repeat the segment as required (up to 99 times).

| Tag | Tag | Name | St | Rp | Frmt | Comments |
|------|------|--|----|----|--------|---|
| E959 | | SERVICE DETAILS | M | 99 | | One occurrence only. |
| | 7161 | Special service, coded | M | | an..3 | Identification of the extra service. See code list B.4.7161. |
| | 2002 | Time value | C | | n4 | Extra service first time or additional first time (format = hhmm). |
| | 2002 | Time value | C | | n4 | Extra service last time or additional last time (format = hhmm). |
| | 2000 | Date value | C | | an..14 | Not applicable |
| | 3224 | Location name | C | | an..70 | Not applicable |
| | 3225 | Location name code | C | | an..25 | Not applicable |
| | 3227 | Location function code qualifier | C | | an..3 | Not applicable |
| | 7037 | Characteristic description code | C | | an..17 | Reservation information concerning the extra service. See code list B.4.7037. Values = 11, 12, 13, 14, 15, 16, 17, 18, 19, 20, 21, 22, 23 |
| | 3223 | First related location name code | C | | an..25 | Not applicable |
| | 3207 | Country name code | C | | an..3 | Not applicable |
| | 7160 | Special service | C | | an..35 | Not applicable |
| | 7036 | Characteristic description | C | | an..35 | Not applicable |
| | 1229 | Action request/notification description code | C | | an..3 | Not applicable |
| | 3233 | Second related location name code | C | | an..25 | Not applicable |
| | 3453 | Language name code | C | | an..3 | Not applicable |
| | 6072 | Frequency value | C | | n..9 | Frequency interval of the extra service. |

European Railway Agency

ERA/TD/2009-07/INT: ANNEX B.4 of TAP TSI

| Tag | Tag | Name | St | Rp | Frmt | Comments |
|------|------|--|----|----|---------|--|
| | 6411 | Measurement unit code | C | | an..3 | Measure unit in which the frequency value is expressed. See code list B.4.6411. Values = MIN, HUR. |
| | 6060 | Quantity | C | | an..35 | |
| | 3036 | Party name | C | | an..35 | |
| E013 | | DATE AND TIME INFORMATION | C | 99 | | One occurrence only. Definition of the availability period of the extra service. If omitted: always available during the operation period of the travel service. The availability period must fit within the period of operation of the travel service defined in segment POP. |
| | 2005 | Date or time or period function code qualifier | M | | an..3 | See code list B.4.2005. Value = 273 |
| | 2380 | Date or time or period text | M | | an..35 | Period of availability (format = yyyy-mm-dd/yyyy-mm-dd) |
| | 2379 | Date or time or period format code | C | | an..3 | Not applicable |
| | 4440 | Free text value | C | | an..512 | May be used to specify the availability days, one day by character ("0" = not available, "1" = available), starting from the first day specified in the period of availability (2380). |
| 2160 | | DAYS OF WEEK SET IDENTIFIER | C | 1 | an..7 | String data representation of local day(s) of the week (Monday = 1, Tuesday = 2, etc.). Not used if E013/4440 is used to specify the operation days |

Examples

ASD+26++67'

= A snack is served on Saturdays and Sundays.

ASD+26+273:2000-09-21/2000-09-30::1101101111'

A snack is served from 21 to 30 September 2000, but not on 23 and 26 September

Level 2 - Group 2 - MSD - Message action details

Function

To specify the message processing requirements.

Railway use

This segment enables to specify that a service is to be deleted from the schedule database. Its use is only allowed for schedule updates (E972/1225-1 in MSD at level 0 = 62). A deletion includes *all* the data in the database bearing the service identifier (service provider + train number) specified in the PRD segment.

If, in case of schedule update, this segment is not used, the service in the database is completely replaced by the corresponding data under the PRD segment.

| Tag | Tag | Name | St | Rp | Frmt | Comments |
|------|------|-----------------------------------|----|----|-------|--|
| E972 | | MESSAGE PROCESSING DETAILS | C | 1 | | Mandatory |
| | 4025 | Business function code | C | | an..3 | Mandatory. Value = AAR (Rail related business). See code list B.4.4025 |
| | 1225 | Message function code | C | | an..3 | See code list B.4.1225.Mandatory. Deletion mark. Value = 56 |
| | 3055 | Code list responsible agency code | C | | an..3 | Not applicable |
| | 1225 | Message function code | C | | an..3 | Not applicable |
| | 1225 | Message function code | C | | an..3 | Not applicable |
| | 1225 | Message function code | C | | an..3 | Not applicable |
| | 1225 | Message function code | C | | an..3 | Not applicable |
| | 1225 | Message function code | C | | an..3 | Not applicable |
| | 1225 | Message function code | C | | an..3 | Not applicable |
| | 1225 | Message function code | C | | an..3 | Not applicable |
| | 1225 | Message function code | C | | an..3 | Not applicable |
| | 1225 | Message function code | C | | an..3 | Not applicable |

European Railway Agency

ERA/TD/2009-07/INT: ANNEX B.4 of TAP TSI

| Tag | Tag | Name | St | Rp | Frmt | Comments |
|------|------|--------------------------------------|----|----|--------|----------------|
| 4343 | | RESPONSE TYPE CODE | C | 5 | an..3 | Not applicable |
| E206 | | OBJECT IDENTIFICATION | C | 5 | | |
| | 7402 | Object identifier | M | | an..35 | Not applicable |
| | 7405 | Object identification code qualifier | C | | an..3 | Not applicable |
| | 4405 | Status description code | C | | an..3 | Not applicable |

Example

MSD+AAR:56'

The service defined in the PRD segment has to be deleted from the database.

Level 2 - Group 2 - RFR - Reference

Function

To specify a reference.

Railway use

This segment is used to specify a travel service number which is published to the customer if it is different to PRD/E989/7135

If the reference identifier (1154) is empty, the travel service is published to the customer without a number

| Tag | Tag | Name | St | Rp | Frmt | Comments |
|------|------|-----------------------------------|----|----|--------|------------------------------------|
| E506 | | REFERENCE | M | 1 | | |
| | 1153 | Reference function code qualifier | M | | an..3 | See code list B.4.1153.Value = AVI |
| | 1154 | Reference identifier | C | | an..35 | Number of the travel service. |
| | 1156 | Document line identifier | C | | an..6 | Not applicable |
| | 4000 | Reference version number | C | | an..35 | Not applicable |
| | 3036 | Party name | C | | an..35 | Not applicable |

Example

RFR+X02:28'

= Regardless of the identification given in PRD/E989/7135 the specified travel service is published with the number 28 to the customer.

Level 2 - Group 3 - SER - Facility information

Function To provide additional service information, followed by the period and days of operation.

Railway use This segment triggers Group 3, which specifies information about facilities available with the given transport service. This information can be repeated. The segment allows the definition of a sub-period, or specific days of the weeks for which the facility is available.

Each SER segment specifies one and only one facility.. Repeat as required(up to 99 times).

It is recommended to specify the facilities of the travel service in the segment SER of segment group 5 rather than in this segment.

| Tag | Tag | Name | St | Rp | Frmt | Comments |
|------|------|--|----|----|---------|--|
| E965 | | FACILITIES | M | 99 | | One and only one occurrence of this composite is used. |
| | 9039 | Facility type description code | C | | an..3 | Mandatory. See code list B.4.9039. |
| | 9038 | Facility type description | C | | an..70 | Not applicable |
| | 7133 | Product details type code qualifier | C | | an..3 | Not applicable |
| | 7037 | Characteristic description code | C | | an..17 | Reservation information concerning the facility. This information can be repeated. See code list B.4.7037.. Values = 11, 12, 13, 14, 15, 16, 17, 18, 19, 20, 21, 22, 23, 25, 26, 27, 28. |
| 1229 | | ACTION REQUEST/NOTIFICATION DESCRIPTION CODE | C | | an..3 | Not applicable. |
| 6350 | | UNITS QUANTITY | C | | n..15 | Number of facilities available in the service. |
| E013 | | DATE AND TIME INFORMATION | C | 99 | | One occurrence only. Definition of the availability period of the facility. If omitted : always available during the operation period of the travel service. The availability period must fit within the period of operation of the travel service defined in segment POP. |
| | 2005 | Date or time or period function code qualifier | M | | an..3 | See code list B.4.2005.. Value = 273. |
| | 2380 | Date or time or period text | M | | an..35 | Period of availability. Format = yyyy-mm-dd/yyyy-mm-dd |
| | 2379 | Date or time or period format code | C | | an..3 | Not applicable |
| | 4440 | Free text value | C | | an..512 | May be used to specify the availability days, one day by character ("0" = not available, "1" = available), starting from the first day specified in the period of availability (2380). |
| 2160 | | DAYS OF WEEK SET IDENTIFIER | C | 1 | an..7 | String data representation of local day(s) of the week (Monday = 1, Tuesday = 2, etc.). Not used if E013/4440 is used to specify the operation days |

Example SER+33:::::2:13+273:1997-06-01/1997-09-30'
= From 1 June 1997 until 30 September 1997, the service includes 2 video coaches (33) wherein reservation is compulsory (13).

Level 3 - Group 3 - ASD - Service details

Function To specify the time, date, location and additional characteristic information related to a service.

Railway use This segment may be used to specify any extra service available within a given facility.
The ASD segment can describe only one service and cannot be repeated.

| Tag | Tag | Name | St | Rp | Frmt | Comments |
|------|-----|-----------------|----|----|------|----------------------|
| E959 | | SERVICE DETAILS | M | 99 | | One occurrence only. |

European Railway Agency

ERA/TD/2009-07/INT: ANNEX B.4 of TAP TSI

| Tag | Tag | Name | St | Rp | Frmt | Comments |
|------|------|--|----|----|---------|--|
| | 7161 | Special service, coded | M | | an..3 | Identification of the extra service. See code list B.4.7161. |
| | 2002 | Time value | C | | n4 | Extra service first time or additional first time (format = hhmm). |
| | 2002 | Time value | C | | n4 | Extra service last time or additional last time (format = hhmm). |
| | 2000 | Date value | C | | an..14 | Not applicable |
| | 3224 | Location name | C | | an..70 | Not applicable |
| | 3225 | Location name code | C | | an..25 | Not applicable |
| | 3227 | Location function code qualifier | C | | an..3 | Not applicable |
| | 7037 | Characteristic description code | C | | an..17 | Reservation information concerning the extra service. See code list B.4.7037. Values = 11, 12, 13, 14, 15, 16, 17, 18, 19, 20, 21, 22, 23 |
| | 3223 | First related location name code | C | | an..25 | Not applicable |
| | 3207 | Country name code | C | | an..3 | Not applicable |
| | 7160 | Special service description | C | | an..35 | Not applicable |
| | 7036 | Characteristic description | C | | an..35 | Not applicable |
| | 1229 | Action request/notification description code | C | | an..3 | Not applicable |
| | 3233 | Second related location name code | C | | an..25 | Not applicable |
| | 3453 | Language name code | C | | an..3 | Not applicable |
| | 6072 | Frequency value | C | | n..9 | Frequency interval of the extra service. |
| | 6411 | Measurement unit code | C | | an..3 | Measure unit in which the frequency value is expressed. See code list B.4.6411. Values = MIN, HUR. |
| | 6060 | Quantity | C | | an..35 | |
| | 3036 | Party name | C | | an..35 | |
| E013 | | DATE AND TIME INFORMATION | C | 99 | | One occurrence only. Definition of the availability period of the extra service. If omitted: always available during the availability period of the facility The availability period must fit within the period of availability of the facility defined in segment SER |
| | 2005 | Date or time or period function code qualifier | M | | an..3 | See code list B.4.2005. Value = 273 |
| | 2380 | Date or time or period text | M | | an..35 | Period of availability. Format = yyyy-mm-dd/yyyy-mm-dd |
| | 2379 | Date or time or period format code | C | | an..3 | Not applicable |
| | 4440 | Free text value | C | | an..512 | May be used to specify the availability days, one day by character ("0" = not available, "1" = available), starting from the first day specified in the period of availability (2380). |
| 2160 | | DAYS OF WEEK SET IDENTIFIER | C | 1 | an..7 | String data representation of local day(s) of the week (Monday = 1, Tuesday = 2, etc.). Not used if E013/4440 is used to specify the operation days |

Example ASD+26++67'
= On Saturday and Sunday, snacks are available in the given facility.

Level 2 - Group 4 - POP - Period of operation

Function To specify the date or time period with days of operation.

- Railway use*
- This segment is the trigger of Group 4, that specifies information about the timetable of a given transport service (train service, bus service, etc.) for a given period of operation.
 - This segment specifies a period of operation (first and last date, days in the week).
 - The segment and the underlying groups are omitted in case of deletion of the service (Group 2/MSD/1225-1 = 56).

| Tag | Tag | Name | St | Rp | Frmt | Comments |
|------|------|--|----|----|---------|--|
| E013 | | DATE AND TIME INFORMATION | M | 1 | | |
| | 2005 | Date or time or period function code qualifier | M | | an..3 | See code list B.4.2005. Value = 273 |
| | 2380 | Date or time or period text | M | | an..35 | First and last date of the period of operation. Format = yyyy-mm-dd/yyyy-mm-dd |
| | 2379 | Date or time or period format code | C | | an..3 | Not applicable |
| | 4440 | Free text value | C | | an..512 | May be used to specify the operation days, one day by character ("0" = not operational, "1" = operational), starting from the first day specified in the period of operation (2380). |
| 2160 | | DAYS OF WEEK SET IDENTIFIER | C | 1 | an..7 | String data representation of local day(s) of the week (Monday = 1, Tuesday = 2, etc.). Not used if E013/4440 is used to specify the operation days |
| 4405 | | STATUS DESCRIPTION CODE | C | 1 | an..3 | Not applicable |

Example POP+273:1997-09-29/1998-05-31+1234567'
 = The service is operational from 29 September 1997 to 31 May 1998 and runs every day.
 POP+273:2000-08-01/2000-08-13::1001111000001'
 = the service is operational on 1, 4, 5, 6, 7 and 13 August 2000

Level 3 - Group 4 - PDT - Product information

Function To specify details related to a product such as configuration and availability.

- Railway use* This segment may be used to specify a service brand (e.g. Inter-regional train) applicable only for the duration of the Period of Operation. If present, it overrides, for the duration of the defined period, the service brand specified in Group 2.
- No more than one occurrence may be used. The segment is not used in case the service mode (7009/1) in PRD is coach group (value = 31).

| Tag | Tag | Name | St | Rp | Frmt | Comments |
|------|------|-------------------------------------|----|----|--------|---|
| 7133 | | PRODUCT DETAILS TYPE CODE QUALIFIER | C | 1 | an..3 | Not applicable |
| E996 | | PRODUCT CLASS DETAILS | C | 26 | | Mandatory. One and only one occurrence of this composite is used. |
| | 7037 | Characteristic description code | C | | an..17 | Reservation status. See code list B.4.7037. Valid on the whole itinerary. Travel segment dependant characteristic description codes must be described in Group 9. |
| | 4510 | Requested information description | C | | an..35 | Not applicable |
| | 7161 | Special service description code | C | | an..3 | Not applicable |
| | 7009 | Item description code | C | | an..17 | Mandatory. Service brand. See code list B.4.7009. Values corresponding to a service mode (3 to 37) are not allowed. |
| | 7009 | Item description code | C | | an..17 | Not applicable |

European Railway Agency

ERA/TD/2009-07/INT: ANNEX B.4 of TAP TSI

| Tag | Tag | Name | St | Rp | Frmt | Comments |
|-----|------|---|----|----|--------|--|
| | 7009 | Item description code | C | | an..17 | Not applicable |
| | 7139 | Product description identification code | C | | an..3 | Tariff mode. Valid on the whole itinerary. Travel segment dependent tariff modes must be described in Group 9. See code list B.4.7139. |

Example PDT++:::67'

Level 3 - Group 4 - IFT - Interactive free text

Function To provide free-form information.

Railway use This segment may be used to convey any special notes related to the period of operation (= period text).

| Tag | Tag | Name | St | Rp | Frmt | Comments |
|------|------|-----------------------------|----|----|---------|---|
| E971 | | FREE TEXT QUALIFICATION | C | 1 | | |
| | 4451 | Text subject code qualifier | M | | an..3 | See code list B.4.4451. Value = ADU |
| | 4473 | Information type code | C | | an..4 | Not applicable |
| | 4405 | Status description code | C | | an..3 | Not applicable |
| | 3036 | Party name | C | | an..35 | Not applicable |
| | 3453 | Language name code | C | | an..3 | See code list ISO 639-1 |
| 4440 | | FREE TEXT VALUE | C | 99 | an..512 | Mandatory. Special notes in free text. Only one occurrence of the data element is used. |

Example IFT+ADU:::EN+SCHOOL HOLIDAY PERIOD'

Level 3 - Group 4 - TRF - Traffic restriction details

Function To convey certain restrictions that apply to a travel-related object.

Railway use Not applicable

Level 3 - Group 4 - ASD - Service details

Function To specify the time, date, location and additional characteristic information related to a service.

Railway use This segment may be used to specify any extra service available with the travel service during the given period of operation. If the extra is only available for part of the period or on specific days of the week, this must be specified through DATE/TIME/PERIOD and DAYS OF WEEK SET IDENTIFIER. Note that the extra service described in this segment must be applicable to the whole of the itinerary. Location-dependent services must be described either in Group 6 (POR) or in Group 9 (ODI).

The ASD segment can describe only one service. Repeat the segment as required (up to 99 times).

| Tag | Tag | Name | St | Rp | Frmt | Comments |
|------|------|----------------------------------|----|----|--------|---|
| E959 | | SERVICE DETAILS | M | 99 | | One occurrence only. |
| | 7161 | Special service, coded | M | | an..3 | Identification of the extra service. See code list B.4.7161. |
| | 2002 | Time value | C | | n4 | Extra service first time or additional first time (format = hhmm). |
| | 2002 | Time value | C | | n4 | Extra service last time or additional last time (format = hhmm). |
| | 2000 | Date value | C | | an..14 | Not applicable |
| | 3224 | Location name | C | | an..70 | Not applicable |
| | 3225 | Location name code | C | | an..25 | Not applicable |
| | 3227 | Location function code qualifier | C | | an..3 | Not applicable |
| | 7037 | Characteristic description code | C | | an..17 | Reservation information concerning the extra service. See code list B.4.7037. Values = 11, 12, 13, 14, 15, 16, 17, 18, 19, 20, 21, 22, 23 |

European Railway Agency

ERA/TD/2009-07/INT: ANNEX B.4 of TAP TSI

| Tag | Tag | Name | St | Rp | Frmt | Comments |
|------|------|--|----|----|---------|--|
| | 3223 | First related location name code | C | | an..25 | Not applicable |
| | 3207 | Country name code | C | | an..3 | Not applicable |
| | 7160 | Special service | C | | an..35 | Not applicable |
| | 7036 | Characteristic description | C | | an..35 | Not applicable |
| | 1229 | Action request/notification description code | C | | an..3 | Not applicable |
| | 3233 | Second related location name code | C | | an..25 | Not applicable |
| | 3453 | Language name code | C | | an..3 | Not applicable |
| | 6072 | Frequency value | C | | n..9 | Frequency interval of the extra service. |
| | 6411 | Measurement unit code | C | | an..3 | Measure unit in which the frequency value is expressed. See code list B.4.6411. Values = MIN, HUR. |
| | 6060 | Quantity | C | | an..35 | |
| | 3036 | Party name | C | | an..35 | |
| E013 | | DATE AND TIME INFORMATION | C | 99 | | One occurrence only. Definition of the availability period of the extra service. If omitted: always available during the operation period of the travel service. The availability period must fit within the period of operation of the travel service defined in segment POP. |
| | 2005 | Date or time or period function code qualifier | M | | an..3 | See code list B.4.2005. Value = 273 |
| | 2380 | Date or time or period text | M | | an..35 | Period of availability. Format = yyyy-mm-dd/yyyy-mm-dd |
| | 2379 | Date or time or period format code | C | | an..3 | Not applicable |
| | 4440 | Free text value | C | | an..512 | May be used to specify the availability days, one day by character ("0" = not available, "1" = available), starting from the first day specified in the period of availability (2380). |
| 2160 | | DAYS OF WEEK SET IDENTIFIER | C | 1 | an..7 | String data representation of local day(s) of the week (Monday = 1, Tuesday = 2, etc.). Not used if E013/4440 is used to specify the operation days |

Example ASD+26++67'
= A snack is served on Saturdays and Sundays.

Level 3 - Group 4 - FRQ - Frequency

Function To provide details of frequencies.
Railway use This segment may be used to specify frequency intervals at which certain services operate.

| Tag | Tag | Name | St | Rp | Frmt | Comments |
|------|------|--|----|----|--------|---|
| E520 | | FREQUENCY | M | 99 | | |
| | 6072 | Frequency value | M | | n..9 | Frequency interval. |
| | 6411 | Measure unit code | C | | an..3 | Units of measurement in which the frequency value is expressed. See code list B.4.6411. Values = MIN, HUR. Default = minutes. |
| | 2380 | Date or time or period text | C | | an..35 | Mandatory. Frequency first and last time. Format = hhmm/hhmm |
| | 2379 | Date or time or period function code qualifier | C | | an..3 | Not applicable |

Example FRQ+30:MIN:0600/2100'
= the service operates every 30 minutes from 6 a.m. to 9 p.m.

Level 3 - Group 5 - SER - Facility information

Function To provide additional service information, followed by the period and days of operation.
Railway use

- This segment triggers Group 5, which specifies information about facilities available with the given transport service only for the given period of operation defined in POP. This information can be repeated. The segment allows the definition of a sub-period, or specific days of the weeks for which the facility is available.

 Each SET segment specifies one and only one facility. Repeat the segment as required (up to 99 times).

| Tag | Tag | Name | St | Rp | Frmt | Comments |
|------|------|--|----|----|---------|---|
| E965 | | FACILITIES | M | 99 | | One and only one occurrence of this composite is used. |
| | 9039 | Facility type description code | C | | an..3 | Mandatory. See code list B.4.9039. |
| | 9038 | Facility type description | C | | an..70 | Not applicable |
| | 7133 | Product details type code qualifier | C | | an..3 | Not applicable |
| | 7037 | Characteristic description code | C | | an..17 | Reservation information concerning the facility. This information can be repeated. See code list B.4.7037. Values = 11, 12, 13, 14, 15, 16, 17, 18, 19, 20, 21, 22, 23, 25, 26, 27, 28 |
| 1229 | | ACTION REQUEST/NOTIFICATION DESCRIPTION CODE | C | | an..3 | Not applicable. |
| 6350 | | UNITS QUANTITY | C | | n..15 | Number of facilities available in the service. |
| E013 | | DATE AND TIME INFORMATION | C | 99 | | One occurrence only. Definition of the availability period of the facility. If omitted: always available during the operation period of the travel service. The availability period must fit within the period of operation of the travel service defined in segment POP. |
| | 2005 | Date or time or period function code qualifier | M | | an..3 | See code list B.4.2005. Value = 273. |
| | 2380 | Date or time or period text | M | | an..35 | Period of availability. Format = yyyy-mm-dd/yyyy-mm-dd |
| | 2379 | Date or time or period format code | C | | an..3 | Not applicable |
| | 4440 | Free text value | C | | an..512 | May be used to specify the availability days, one day by character ("0" = not available, "1" = available), starting from the first day specified in the period of availability (2380). |
| 2160 | | DAYS OF WEEK SET IDENTIFIER | C | 1 | an..7 | String data representation of local day(s) of the week (Monday = 1, Tuesday = 2, etc.). Not used if E013/4440 is used to specify the operation days |

Example SER+33:::2:13+273:1997-06-01/1997-09-30'
 = From 1 June 1997 until 30 September 1997, the service includes 2 video coaches (33) wherein reservation is compulsory (13).

Level 4 - Group 5 - ASD - Service details

Function To specify the time, date, location and additional characteristic information related to a service.
Railway use This segment may be used to specify any extra service available within a given facility. The ASD segment can describe only one service and cannot be repeated.

| Tag | Tag | Name | St | Rp | Frmt | Comments |
|------|------|------------------------|----|----|-------|--|
| E959 | | SERVICE DETAILS | M | 99 | | One occurrence only. |
| | 7161 | Special service, coded | M | | an..3 | Identification of the extra service. See code list B.4.7161. |

European Railway Agency

ERA/TD/2009-07/INT: ANNEX B.4 of TAP TSI

| Tag | Tag | Name | St | Rp | Frmt | Comments |
|------|------|--|----|----|---------|--|
| | 2002 | Time value | C | | n4 | Extra service first time or additional first time (format = hhmm). |
| | 2002 | Time value | C | | n4 | Extra service last time or additional last time (format = hhmm). |
| | 2000 | Date value | C | | an..14 | Not applicable |
| | 3224 | Location name | C | | an..70 | Not applicable |
| | 3225 | Location name code | C | | an..25 | Not applicable |
| | 3227 | Location function code qualifier | C | | an..3 | Not applicable |
| | 7037 | Characteristic description code | C | | an..17 | Reservation information concerning the extra service. See code list B.4.7037. Values = 11, 12, 13, 14, 15, 16, 17, 18, 19, 20, 21, 22, 23 |
| | 3223 | First related location name code | C | | an..25 | Not applicable |
| | 3207 | Country name code | C | | an..3 | Not applicable |
| | 7160 | Special service description | C | | an..35 | Not applicable |
| | 7036 | Characteristic description | C | | an..35 | Not applicable |
| | 1229 | Action request/notification description code | C | | an..3 | Not applicable |
| | 3233 | Second related location name code | C | | an..25 | Not applicable |
| | 3453 | Language name code | C | | an..3 | Not applicable |
| | 6072 | Frequency value | C | | n..9 | Frequency interval of the extra service. |
| | 6411 | Measurement unit code | C | | an..3 | Measure unit in which the frequency value is expressed. See code list B.4.6411. Values = MIN, HUR. |
| | 6060 | Quantity | C | | an..35 | |
| | 3036 | Party name | C | | an..35 | |
| E013 | | DATE AND TIME INFORMATION | C | 99 | | One occurrence only. Definition of the availability period of the extra service. If omitted: always available during the availability period of the facility The availability period must fit within the period of availability of the facility defined in segment SER |
| | 2005 | Date or time or period function code qualifier | M | | an..3 | See code list B.4.2005. Value = 273 |
| | 2380 | Date or time or period text | M | | an..35 | Period of availability. Format = yyyy-mm-dd/yyyy-mm-dd |
| | 2379 | Date or time or period format code | C | | an..3 | Not applicable |
| | 4440 | Free text value | C | | an..512 | May be used to specify the availability days, one day by character ("0" = not available, "1" = available), starting from the first day specified in the period of availability (2380). |
| 2160 | | DAYS OF WEEK SET IDENTIFIER | C | 1 | an..7 | String data representation of local day(s) of the week (Monday = 1, Tuesday = 2, etc.). Not used if E013/4440 is used to specify the operation days |

Example

ASD+26++67'

= On Saturday and Sunday, snacks are available in the given facility.

Level 3 - Group 6 - DTI - Date and time information

- Function* To specify the date, and/or time, or period.
- Railway use*
- This segment triggers Group 6, which specifies special days to be added to, or excluded from, the period of operation. This Group should not be used if the main period description in segment POP is given by using POP/E013/4440 (string of operation days, one day by character ("0" = not operational, "1" = operational))
 - This segment specifies a special day or period.

| Tag | Tag | Name | St | Rp | Frmt | Comments |
|------|------|--|----|----|---------|---|
| E013 | | DATE AND TIME INFORMATION | M | 9 | | Definition of a day or period to be added to or excluded from the period of operation. |
| | 2005 | Date or time or period function code qualifier | M | | an..3 | See code list B.4.2005. Values = 62, 66, 68, 70 |
| | 2380 | Date or time or period text | M | | an..35 | Date or period. Format = - if 2005 = 66 or 68: yyyy-mm-dd/yyyy-mm-dd - if 2005 = 62 or 70: yyyy-mm-dd |
| | 2379 | Date or time or period format code | C | | an..3 | Not applicable |
| | 4440 | Free text value | C | | an..512 | Not applicable |
| E014 | | TIME REFERENCE DETAILS | C | 99 | | |
| | 1154 | Reference identifier | C | | an..35 | Not applicable |
| | 1153 | Reference function code qualifier | C | | an..3 | Not applicable |

Example DTI+62:1997-12-25'
= 25 December is to be excluded from the period of operation.

Level 4 - Group 6 - IFT - Interactive free text

- Function* To provide free form information.
- Railway use* This segment may be used to convey a free-text description of the special day or period.

| Tag | Tag | Name | St | Rp | Frmt | Comments |
|------|------|-----------------------------|----|----|---------|---|
| E971 | | FREE TEXT QUALIFICATION | C | 1 | | |
| | 4451 | Text subject code qualifier | M | | an..3 | See code list B.4.4451. Value = BLO |
| | 4473 | Information type code | C | | an..4 | Not applicable |
| | 4405 | Status description code | C | | an..3 | Not applicable |
| | 3036 | Party name | C | | an..35 | Not applicable |
| | 3453 | Language name code | C | | an..3 | See code list ISO 639-1 |
| 4440 | | FREE TEXT VALUE | C | 99 | an..512 | Mandatory. Free-text description of the special day or period. Only one occurrence of the data element is used. |

Example IFT+BLO::::EN+CHRISTMAS'

Level 3 - Group 7 - POR - Location and/or related time information

Function To provide information about a location relating to a service in the following sequence: arrival time, departure time, arrival sub-location and departure sub-location, traffic restrictions.

- Railway use*
- This segment triggers Group 7, which may be used to provide information related to a location used for a given service. For coach groups, only the locations where they are added to a train are mentioned and the terminus if different from the terminus of the train to which it was added.
 - This segment specifies a location and the corresponding arrival and departure information.
 - In the message, the locations must occur in the same order as they occur in the service itinerary.
 - Border stations and significant via stations which are linked to fare definitions (technical documents B.1, B.2, B.3) must be indicated in the timetable with their passing time.

| Tag | Tag | Name | St | Rp | Frmt | Comments |
|------|------|-----------------------------------|----|----|--------|--|
| E517 | | LOCATION IDENTIFICATION | M | 1 | | |
| | 3225 | Location name code | C | | an..25 | See code list B.4.3225. |
| | 1131 | Code list identification code | C | | an..3 | See code list B.4.1131 Default = 37 (Railway location) |
| | 3055 | Code list responsible agency code | C | | an..3 | See code list B.4.3055. |
| | 3224 | Location name | C | | an..70 | Not applicable |
| E362 | | RELATED TIME INFORMATION | C | 2 | | <ul style="list-style-type: none"> • The first occurrence gives arrival time and the second departure time. • Not used for coach groups (PRD/E989/7009 = 31) • Times are given in local time (0000 to 2359). |
| | 2002 | Time value | C | | n4 | Vehicle time. Format = hhmm |
| | 2002 | Time value | C | | n4 | Passenger time. Format = hhmm |
| | 2020 | Time zone difference value | C | | n..4 | Not applicable |
| | 2148 | Date variation number | C | | n..5 | For the first occurrence of E362 (arrival), value is: -1, if arrival date is previous to departure date at the previous stop location, 0 (default), if arrival date is the same as the departure date at the previous stop location, 1, if arrival date is the day after departure date at the previous stop location. For the second occurrence of E362 (departure), value is : 0 (default), if departure date is the same as the arrival date 1, if departure date is the day after arrival date |
| E992 | | POSITION | C | 2 | | The first occurrence gives arrival location and the second departure location. |
| | 3223 | First related location name code | C | | an..25 | Sub-location for vehicle. |
| | 3233 | Second related location name code | C | | an..25 | Sub-location for passengers. |
| 3227 | | LOCATION FUNCTION CODE QUALIFIER | C | 1 | an..3 | Function of the location for the service. See code list B.4.3227. |
| 1050 | | SEQUENCE POSITION IDENTIFIER | C | 1 | an..10 | Not applicable |

Example POR+8814001+0725*0727+12'
 = The train service arrives in Bruxelles-Midi at 7.25 a.m. and leaves at 7.27. It arrives at and leaves from platform 12.

Level 4 - Group 7 - MES - Measurements

Function To specify physical measurements, including dimension tolerances, weights and counts.

Railway use This segment may be used to specify the distance to the location from the departure location of the service.

| Tag | Tag | Name | St | Rp | Frmt | Comments |
|------|------|-------------------------------|----|----|-------|--|
| E175 | | MEASUREMENT VALUE AND DETAILS | M | 9 | | Only one occurrence of this composite is used. |
| | 6314 | Measurement value | M | | n..18 | Distance. |
| | 6411 | Measure unit code | C | | an..3 | Mandatory. Unit of measurement. See code list B.4.6411. Values = KMT, MTR, SMI, YRD. |
| | 6313 | Measurement dimension, coded | C | | an..3 | Not applicable. "Distance to departure location" assumed. |
| | 6321 | Measurement significance code | C | | an..3 | Not applicable. "Exact value" assumed. |

Example MES+25 : KMT '
= The distance between the given location and the departure location of the service is 25 km.

Level 4 - Group 7 - ASD - Service details

Function TO SPECIFY THE TIME, DATE, LOCATION AND ADDITIONAL CHARACTERISTIC INFORMATION RELATED TO A SERVICE.

Railway use THIS SEGMENT MAY BE USED TO SPECIFY ANY EXTRA SERVICE ADMINISTERED AT THE GIVEN LOCATION.

The ASD segment can describe only one service. Repeat the segment as required (up to 9 times).

| Tag | Tag | Name | St | Rp | Frmt | Comments |
|------|------|----------------------------------|----|----|--------|--|
| E959 | | SERVICE DETAILS | M | 99 | | One occurrence only. |
| | 7161 | Special service, coded | M | | an..3 | Identification of the extra service. See code list B.4.7161. Values = 3, 4, 7, 9, 33 to 36, 44 and 45 |
| | 2002 | Time value | C | | n4 | Extra service first time or additional first time (format = hhmm). When code 7161 indicates check-out (45), this field specifies the earliest check-out time. |
| | 2002 | Time value | C | | n4 | Extra service last time or additional last time (format = hhmm). When code 7161 indicates check-in (44), this field specifies the latest check-in time. |
| | 2000 | Date value | C | | an..14 | Not applicable |
| | 3224 | Location name | C | | an..70 | Not applicable |
| | 3225 | Location name code | C | | an..25 | Not applicable |
| | 3227 | Location function code qualifier | C | | an..3 | Not applicable |
| | 7037 | Characteristic description code | C | | an..17 | Reservation information concerning the extra service. See code list B.4.7037. Values = 11, 12, 13, 14, 15, 16, 17, 18, 19, 20, 21, 22, 23 |
| | 3223 | First related location name code | C | | an..25 | Identification of the sub-location where the extra service takes place (e.g. special loading platform for vehicles). |
| | 3207 | Country name code | C | | an..3 | Not applicable |
| | 7160 | Special service description | C | | an..35 | Not applicable |
| | 7036 | Characteristic description | C | | an..35 | Not applicable |

European Railway Agency

ERA/TD/2009-07/INT: ANNEX B.4 of TAP TSI

| Tag | Tag | Name | St | Rp | Frmt | Comments |
|------|------|--|----|----|---------|---|
| | 1229 | Action request/notification description code | C | | an..3 | Not applicable |
| | 3233 | Second related location name code | C | | an..25 | Identification of a second sub-location where the extra service takes place. |
| | 3453 | Language name code | C | | an..3 | Not applicable |
| | 6072 | Frequency value | C | | n..9 | Frequency interval of the extra service. |
| | 6411 | Measurement unit code | C | | an..3 | Measure unit in which the frequency value is expressed. See code list B.4.6411. Values = MIN, HUR. |
| | 6060 | Quantity | C | | an..35 | |
| | 3036 | Party name | C | | an..35 | |
| E013 | | DATE AND TIME INFORMATION | C | 99 | | One occurrence only. Definition of the availability period of the extra service. If omitted: always available during the operation period of the travel service. The availability period must fit within the period of operation of the travel service defined in segment POP |
| | 2005 | Date or time or period function code qualifier | M | | an..3 | See code list B.4.2005. Value = 273 |
| | 2380 | Date or time or period text | M | | an..35 | Period of availability. Format = yyyy-mm-dd/yyyy-mm-dd |
| | 2379 | Date or time or period format code | C | | an..3 | Not applicable |
| | 4440 | Free text value | C | | an..512 | May be used to specify the availability days, one day by character ("0" = not available, "1" = available), starting from the first day specified in the period of availability (2380). |
| 2160 | | DAYS OF WEEK SET IDENTIFIER | C | 1 | an..7 | String data representation of local day(s) of the week (Monday = 1, Tuesday = 2, etc.). Not used if E013/4440 is used to specify the operation days |

Example ASD+7:1730:1830:.....P12++12345'
= From Monday to Friday, vehicles may be loaded on the train from 5.30 p.m. to 6.30 p.m. at loading platform P12.

Level 4 - Group 7 - SER - Facility information

| | |
|--------------------|--|
| <i>Function</i> | To provide additional service information, followed by the period and days of operation. |
| <i>Railway use</i> | Not applicable: all segment related information is under group 9 (ODI). |

Level 4 - Group 7 - TRF - Traffic restriction details

Function To convey certain restrictions that apply to a travel-related object.
Railway use Indication of travel restrictions related to the given location (e.g. alighting only, boarding only)

| Tag | Tag | Name | St | Rp | Frmt | Comments |
|------|------|---|----|----|---------|--|
| E007 | | TRAFFIC RESTRICTION DETAILS | C | 5 | | Mandatory. This composite may be used to specify travel restrictions. One and only one occurrence of this composite is used. |
| | 8015 | Traffic restriction code | C | | an..3 | Mandatory. See code list B.4.8015. |
| | 8017 | Traffic restriction application code | C | | an..3 | Not applicable |
| | 8035 | Traffic restriction type code qualifier | C | | an..3 | Not applicable |
| | 4440 | Free text value | C | | an..512 | Not applicable |

Example TRF+1'

= The service stops at the given location for boarding only.

Level 4 - Group 8 - RFR - Reference

Function To specify a reference.

- Railway use*
- This segment triggers Group 8, used to reference a travel service to which the service described in PRD is related (joins, connects with, splits).
 - This segment gives the identification of the related service. As in PRD, the service is identified by a concatenation of the service provider and service number (here given in the 'party name' and 'reference identifier' elements).
 - If the service described in the PRD segment is a coach group, the service identified in this segment is the train to which the coach group is attached.
 - If the service described in the PRD segment is not a coach group and the relation description code (9143) in the underlying RLS segment is 6 (connecting to) or 12 (change service number), the actual occurrence of group 7 (POR) should be the last for the given service (PRD).
 - If the service described in the PRD segment is not a coach group and the relation description code (9143) in the underlying RLS segment is 13 (disconnect from), the actual occurrence of group 7 (POR) should be the first for the given service (PRD).

| Tag | Tag | Name | St | Rp | Frmt | Comments |
|------|------|-----------------------------------|----|----|--------|--|
| E506 | | REFERENCE | M | 1 | | |
| | 1153 | Reference function code qualifier | M | | an..3 | See code list B.4.1153. Value = AUE |
| | 1154 | Reference identifier | C | | an..35 | Mandatory. Service number |
| | 1156 | Document line identifier | C | | an..6 | Not applicable |
| | 4000 | Reference version number | C | | an..35 | Not applicable |
| | 3036 | Party name | C | | an..35 | Mandatory. Service Provider; See code list B.4.3039. |

Example RFR+AUE:39:::0088'
= Reference to the train service SNCB-39.

Level 5 - Group 8 - RLS - Relationship

Function To identify the direct relationship between the data/information contained in one segment and the data/information contained in one or more other segments.

Railway use This segment identifies the relationship between the service defined in the PRD-segment and the service referred to by the RFR-segment (e.g. joins with, splits into).

| Tag | Tag | Name | St | Rp | Frmt | Comments |
|------|------|-----------------------------------|----|----|--------|---|
| 9141 | | RELATIONSHIP TYPE CODE QUALIFIER | M | 1 | an..3 | See code list B.4.9141. Value = 13 |
| E941 | | RELATIONSHIP | C | 1 | | |
| | 9143 | Relationship description code | C | | an..3 | Mandatory. See code list B.4.9143. Values = 6 = connecting to 7 = timing between services 8 = joining to 11 = splitting from 12 = number change 13 = disconnect |
| | 1131 | Code list identification code | C | | an..3 | Not applicable |
| | 3055 | Code list responsible agency code | C | | an..3 | Not applicable. |
| | 9142 | Relationship description | C | | an..35 | Not applicable |

Example RLS+13+8'
= The service defined in the PRD segment joins with the service specified in the RFR segment.

Level 5 - Group 8 - TCE - Time and certainty

Function To specify the time and certainty of an event.

- Railway use*
- This segment may be used to specify the connection time and the characteristic of the connection.
 - If Gr8/RLS/E941/9143 = 7 (time between services), this segment is mandatory.

| Tag | Tag | Name | St | Rp | Frmt | Comments |
|------|------|-----------------------------------|----|----|--------|--|
| 2380 | | DATE OR TIME OR PERIOD TEXT | C | 1 | an..35 | Connection time expressed in minutes. |
| E946 | | CERTAINTY | C | 1 | | |
| | 4049 | Certainty description code | C | | an..3 | Reliability of the connection. See code list B.4.4049. Values = 1, X02, X03, X04 |
| | 4048 | Certainty description | C | | an..35 | Free-text description of the certainty. |
| | 3453 | Language name code | C | | an..3 | Language in which the characteristic is expressed. See code list ISO 639-1. |
| | 3055 | Code list responsible agency code | C | | an..3 | Not applicable. |

Example TCE+12+1'
= The connection time between the two services is 12 minutes. The connection is guaranteed.

Level 3 - Group 9 - ODI - Origin and destination details

Function To convey first the origin and then the final destination of a journey.

- Railway use*
- This segment triggers Group 9, which may be used to convey information related to a segment of a given travel service.
 - This segment specifies a travel segment.

| Tag | Tag | Name | St | Rp | Frmt | Comments |
|------|-----|------------------------------|----|----|--------|--|
| 3225 | | LOCATION NAME CODE | C | 2 | an..25 | <ul style="list-style-type: none"> • Both occurrences are mandatory. • First and second location delimiting the travel segment See code list B.4.3225 |
| 1050 | | SEQUENCE POSITION IDENTIFIER | C | 2 | an..10 | May be used to specify the sequence number of the locations in the itinerary. The first occurrence relates to the first location (3225), the second to the second one. Both occurrences are mandatory if the train service calls more than once at a given location (looping route). |

Example ODI+8814001*8841004+2*5'
= The travel segment is delimited by Bruxelles-Midi (2nd location in the itinerary of the travel service) and Liège-Guillemins (5th location in the itinerary).

Level 4 - Group 9 - PDT - Product information

Function To specify details relating to a product such as configuration and availability.

- Railway use* This segment may be used to specify the category of the service for a given travel segment. No more than one occurrence may be used. The segment is not used in case the service mode (7009/1) in PRD is coach group (value = 31).

| Tag | Tag | Name | St | Rp | Frmt | Comments |
|------|-----|-------------------------------------|----|----|-------|---|
| 7133 | | PRODUCT DETAILS TYPE CODE QUALIFIER | C | 1 | an..3 | Not applicable |
| E996 | | PRODUCT CLASS DETAILS | C | 26 | | Mandatory. One and only one occurrence of this composite is used. |

European Railway Agency

ERA/TD/2009-07/INT: ANNEX B.4 of TAP TSI

| Tag | Tag | Name | St | Rp | Frmt | Comments |
|-----|------|---|----|----|--------|---|
| | 7037 | Characteristic description code | C | | an..17 | Reservation status. See code list B.4.7037. Valid on the part of the itinerary indicated in the ODI segment. |
| | 4510 | Requested information description | C | | an..35 | Not applicable |
| | 7161 | Special service description code | C | | an..3 | Not applicable |
| | 7009 | Item description code | C | | an..17 | Mandatory. Service brand. See code list B.4.7009. Values corresponding to a service mode (3 to 37) are not allowed. |
| | 7009 | Item description code | C | | an..17 | Not applicable |
| | 7009 | Item description code | C | | an..17 | Not applicable |
| | 7139 | Product description identification code | C | | an..3 | Tariff mode. Valid on the part of the itinerary indicated in the ODI segment. See code list B.4.7139. |

Example PDT+:::67'
= The service runs as an inter-regional train on the specified travel segment.

Level 4 - Group 9 - IFT - Interactive free text

| | |
|--------------------|-----------------------------------|
| <i>Function</i> | To provide free form information. |
| <i>Railway use</i> | Not applicable. |

Level 4 - Group 9 - TRF - Traffic restriction details

Function To convey certain restrictions that apply to a travel-related object.
Railway use This segment may be used to specify restrictions related to the travel segment.

| Tag | Tag | Name | St | Rp | Frmt | Comments |
|------|------|---|----|----|---------|---|
| E007 | | TRAFFIC RESTRICTION DETAILS | C | 5 | | Mandatory. This composite may be used to specify travel restriction. Only one occurrence of this composite can be used. |
| | 8015 | Traffic restriction code | C | | an..3 | Mandatory. See code list B.4.8015. |
| | 8017 | Traffic restriction application code | C | | an..3 | Not applicable |
| | 8035 | Traffic restriction type code qualifier | C | | an..3 | Not applicable |
| | 4440 | Free text value | C | | an..512 | Not applicable |

Example TRF+1'
= Only boarding of passengers is allowed on the specified segment.

Level 4 - Group 9 - TFF - Tariff information

Function To specify tariff details related to a service or product.
Railway use This segment may be used to specify tariff information related to the travel segment.:
A mandatory rate type and, optionally, a passenger type

| Tag | Tag | Name | St | Rp | Frmt | Comments |
|------|------|-------------------------------------|----|----|--------|------------------------------------|
| E982 | | TARIFF INFORMATION | C | 99 | | Mandatory |
| | 5263 | Rate type identifier | C | | an..20 | Mandatory. See code list B.4.5263. |
| | 5004 | Monetary amount | C | | n..18 | Not applicable |
| | 6345 | Currency identification code | C | | an..3 | Not applicable |
| | 5501 | Rate plan code | C | | an..3 | Not applicable |
| | 5025 | Monetary amount type code qualifier | C | | an..3 | Not applicable |
| | 2152 | Period count quantity | C | | n..3 | Not applicable |
| | 5377 | Price change type code | C | | an..3 | Not applicable |
| | 5160 | Total monetary amount | C | | n..20 | Not applicable |
| | 2000 | Date value | C | | an..14 | Not applicable |
| | 2000 | Date value | C | | an..14 | Not applicable |
| | 4183 | Special condition code | C | | an..3 | Not applicable |

European Railway Agency

ERA/TD/2009-07/INT: ANNEX B.4 of TAP TSI

| Tag | Tag | Name | St | Rp | Frmt | Comments |
|------|------|---------------------------------------|----|----|---------|------------------------|
| E983 | | RATE INFORMATION | C | 1 | | |
| | 5234 | Rate/tariff class identification | C | | an..9 | Not applicable |
| | 6162 | Range minimum value | C | | n..18 | Not applicable |
| | 6152 | Range maximum value | C | | n..18 | Not applicable |
| | 7365 | Processing indicator description code | C | | an..3 | Not applicable |
| | 6345 | Currency identification code | C | | an..3 | Not applicable |
| E984 | | ASSOCIATED CHARGES INFORMATION | C | 99 | | |
| | 5261 | Charge unit code | C | | an..3 | see code list B.4.5261 |
| | 5004 | Monetary amount | C | | n..18 | Not applicable |
| | 7008 | Item description | C | | an..35 | Not applicable |
| | 6060 | Quantity | C | | n..15 | Not applicable |
| | 2155 | Charge period type code | C | | an..3 | Not applicable |
| | 6345 | Currency identification code | C | | an..3 | Not applicable |
| | 3225 | Location name code | C | | an..35 | Not applicable |
| | 4440 | Free text value | C | | an..512 | Not applicable |
| | 4440 | Free text value | C | | an..512 | Not applicable |
| | 4513 | Maintenance operation code | | | an..3 | Not applicable |
| | 7299 | Requirement designator code | | | an..3 | Not applicable |

Example TFF+SP'
 = A supplement is due for the specified travel segment.

Level 4 - Group 9 - ASD - Service details

Function To specify the time, date, location and additional characteristic information related to a service.
Railway use This segment may be used to specify any extra service administered within the travel segment during a given period of operation.
 The ASD segment can describe only one service. Repeat the segment as required (up to 99 times).

| Tag | Tag | Name | St | Rp | Frmt | Comments |
|------|------|--|----|----|--------|---|
| E959 | | SERVICE DETAILS | M | 99 | | One occurrence only. |
| | 7161 | Special service, coded | M | | an..3 | Identification of the extra service. See code list B.4.7161 |
| | 2002 | Time value | C | | n4 | Extra service first time or additional first time (format = hhmm). |
| | 2002 | Time value | C | | n4 | Extra service last time or additional last time (format = hhmm). |
| | 2000 | Date value | C | | an..14 | Not applicable |
| | 3224 | Location name | C | | an..70 | Not applicable |
| | 3225 | Location name code | C | | an..25 | Not applicable |
| | 3227 | Location function code qualifier | C | | an..3 | Not applicable |
| | 7037 | Characteristic description code | C | | an..17 | Reservation information concerning the extra service. See code list B.4.7037. Values = 11, 12, 13, 14, 15, 16, 17, 18, 19, 20, 21, 22, 23 |
| | 3223 | First related location name code | C | | an..25 | Not applicable |
| | 3207 | Country name code | C | | an..3 | Not applicable |
| | 7160 | Special service description | C | | an..35 | Not applicable |
| | 7036 | Characteristic description | C | | an..35 | Not applicable |
| | 1229 | Action request/notification description code | C | | an..3 | Not applicable |
| | 3233 | Second related location name code | C | | an..25 | Not applicable |
| | 3453 | Language name code | C | | an..3 | Not applicable |
| | 6072 | Frequency value | C | | n..9 | Frequency interval of the extra service. |

European Railway Agency

ERA/TD/2009-07/INT: ANNEX B.4 of TAP TSI

| Tag | Tag | Name | St | Rp | Frmt | Comments |
|------|------|--|----|----|---------|---|
| | 6411 | Measurement unit code | C | | an..3 | Measure unit in which the frequency value is expressed. See code list B.4.6411. Values = MIN, HUR. |
| | 6060 | Quantity | C | | an..35 | |
| | 3036 | Party name | C | | an..35 | |
| E013 | | DATE AND TIME INFORMATION | C | 99 | | One occurrence only. Definition of the availability period of the extra service. If omitted: always available during the operation period of the travel service. The availability period must fit within the period of operation of the travel service defined in segment POP |
| | 2005 | Date or time or period function code qualifier | M | | an..3 | See code list B.4.2005. Value = 273 |
| | 2380 | Date or time or period text | M | | an..35 | Period of availability. Format = yyyy-mm-dd/yyyy-mm-dd |
| | 2379 | Date or time or period format code | C | | an..3 | Not applicable |
| | 4440 | Free text value | C | | an..512 | May be used to specify the availability days, one day by character ("0" = not available, "1" = available), starting from the first day specified in the period of availability (2380). |
| 2160 | | DAYS OF WEEK SET IDENTIFIER | C | 1 | an..7 | String data representation of local day(s) of the week (Monday = 1, Tuesday = 2, etc.). Not used if E013/4440 is used to specify the operation days |

Example ASD+26++67'
= A snack is served on Saturdays and Sundays.

Level 4 - Group 10 - SER - Facility information

Function To provide additional service information, followed by the period and days of operation.
Railway use

- This segment triggers Group 10, which may be used to specify information about facilities available with a given travel segment. This information can be repeated.

Each SER segment specifies one and only one facility. Repeat as required (up to 99 times).

| Tag | Tag | Name | St | Rp | Frmt | Comments |
|------|------|--|----|----|--------|---|
| E965 | | FACILITIES | M | 99 | | One and only one occurrence of this composite is used. |
| | 9039 | Facility type description code | C | | an..3 | Mandatory. See code list B.4.9039. |
| | 9038 | Facility type description | C | | an..70 | Not applicable |
| | 7133 | Product details type code qualifier | C | | an..3 | Not applicable |
| | 7037 | Characteristic description code | C | | an..17 | Reservation information concerning the facility. This information can be repeated. See code list B.4.7037. Values = 11, 12, 13, 14, 15, 16, 17, 18, 19, 20, 21, 22, 23, 25, 26, 27, 28. |
| 1229 | | ACTION REQUEST/NOTIFICATION DESCRIPTION CODE | C | | an..3 | Not applicable |
| 6350 | | UNITS QUANTITY | C | | n..15 | Number of facilities available in the service |

European Railway Agency

ERA/TD/2009-07/INT: ANNEX B.4 of TAP TSI

| Tag | Tag | Name | St | Rp | Frmt | Comments |
|------|------|--|----|----|---------|--|
| E013 | | DATE AND TIME INFORMATION | C | 99 | | One occurrence only. Definition of the availability period of the facility. If omitted: always available during the operation period of the travel service. The availability period must fit within the period of operation of the travel service defined in segment POP |
| | 2005 | Date or time or period function code qualifier | M | | an..3 | See code list B.4.2005. Value = 273. |
| | 2380 | Date or time or period text | M | | an..35 | Period of availability. Format = yyyy-mm-dd/yyyy-mm-dd |
| | 2379 | Date or time or period format code | C | | an..3 | Not applicable |
| | 4440 | Free text value | C | | an..512 | May be used to specify the availability days, one day by character ("0" = not available, "1" = available), starting from the first day specified in the period of availability (2380). |
| 2160 | | DAYS OF WEEK SET IDENTIFIER | C | 1 | an..7 | String data representation of local day(s) of the week (Monday = 1, Tuesday = 2, etc.). Not used if E013/4440 is used to specify the operation days |

Example SER+33:::2:13+273:1997-06-01/1997-09-30'
= From 1 June 1997 until 30 September 1997, 2 video coaches (33) wherein reservation is compulsory (13) are available with the specified travel segment.

Level 5 - Group 10 - ASD - Service details

Function To specify the time, date, location and additional characteristic information related to a service.
Railway use This segment may be used to specify any extra service available within a given facility.
The ASD segment can describe only one service and cannot be repeated.

| Tag | Tag | Name | St | Rp | Frmt | Comments |
|------|------|--|----|----|--------|---|
| E959 | | SERVICE DETAILS | M | 99 | | One occurrence only. |
| | 7161 | Special service, coded | M | | an..3 | Identification of the extra service. See code list B.4.7161. |
| | 2002 | Time value | C | | n4 | Extra service first time or additional first time (format = hhmm). |
| | 2002 | Time value | C | | n4 | Extra service last time or additional last time (format = hhmm). |
| | 2000 | Date value | C | | an..14 | Not applicable |
| | 3224 | Location name | C | | an..70 | Not applicable |
| | 3225 | Location name code | C | | an..25 | Not applicable |
| | 3227 | Location function code qualifier | C | | an..3 | Not applicable |
| | 7037 | Characteristic description code | C | | an..17 | Reservation information concerning the extra service. See code list B.4.7037. Values = 11, 12, 13, 14, 15, 16, 17, 18, 19, 20, 21, 22, 23 |
| | 3223 | First related location name code | C | | an..25 | Not applicable |
| | 3207 | Country name code | C | | an..3 | Not applicable |
| | 7160 | Special service description | C | | an..35 | Not applicable |
| | 7036 | Characteristic description | C | | an..35 | Not applicable |
| | 1229 | Action request/notification description code | C | | an..3 | Not applicable |
| | 3233 | Second related location name code | C | | an..25 | Not applicable |
| | 3453 | Language name code | C | | an..3 | Not applicable |
| | 6072 | Frequency value | C | | n..9 | Frequency interval of the extra service. |
| | 6411 | Measurement unit code | C | | an..3 | Measure unit in which the frequency |

European Railway Agency

ERA/TD/2009-07/INT: ANNEX B.4 of TAP TSI

| Tag | Tag | Name | St | Rp | Frmt | Comments |
|------|------|--|----|----|---------|--|
| | | | | | | value is expressed. See code list B.4.6411. Values = MIN, HUR. |
| | 6060 | Quantity | C | | an..35 | |
| | 3036 | Party name | C | | an..35 | |
| E013 | | DATE/TIME/PERIOD | C | 99 | | One occurrence only. Definition of the availability period of the extra service. If omitted: always available during the availability period of the facility The availability period must fit within the period of availability of the facility defined in segment SER |
| | 2005 | Date or time or period function code qualifier | M | | an..3 | See code list B.4.2005. Value = 273 |
| | 2380 | Date or time or period text | C | | an..35 | Period of availability. Format = yyyy-mm-dd/yyyy-mm-dd |
| | 2379 | Date or time or period format code | C | | an..3 | Not applicable |
| | 4440 | Free text value | C | | an..512 | May be used to specify the availability days, one day by character ("0" = not available, "1" = available), starting from the first day specified in the period of availability (2380). |
| 2160 | | DAYS OF WEEK SET IDENTIFIER | C | 1 | an..7 | String data representation of local day(s) of the week (Monday = 1, Tuesday = 2, etc.). Not used if E013/4440 is used to specify the operation days |

Example ASD+26++67'
= On Saturdays and Sundays, snacks are available in the given facility.

Level 0 - UIT - Interactive message trailer

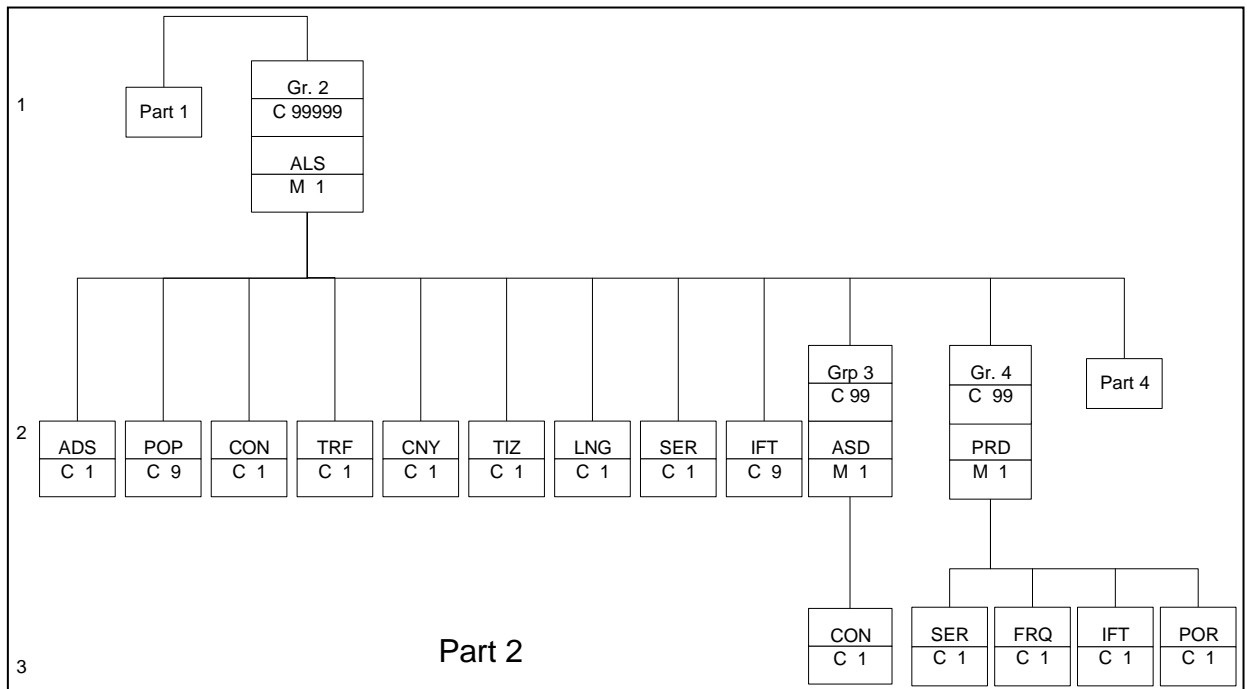
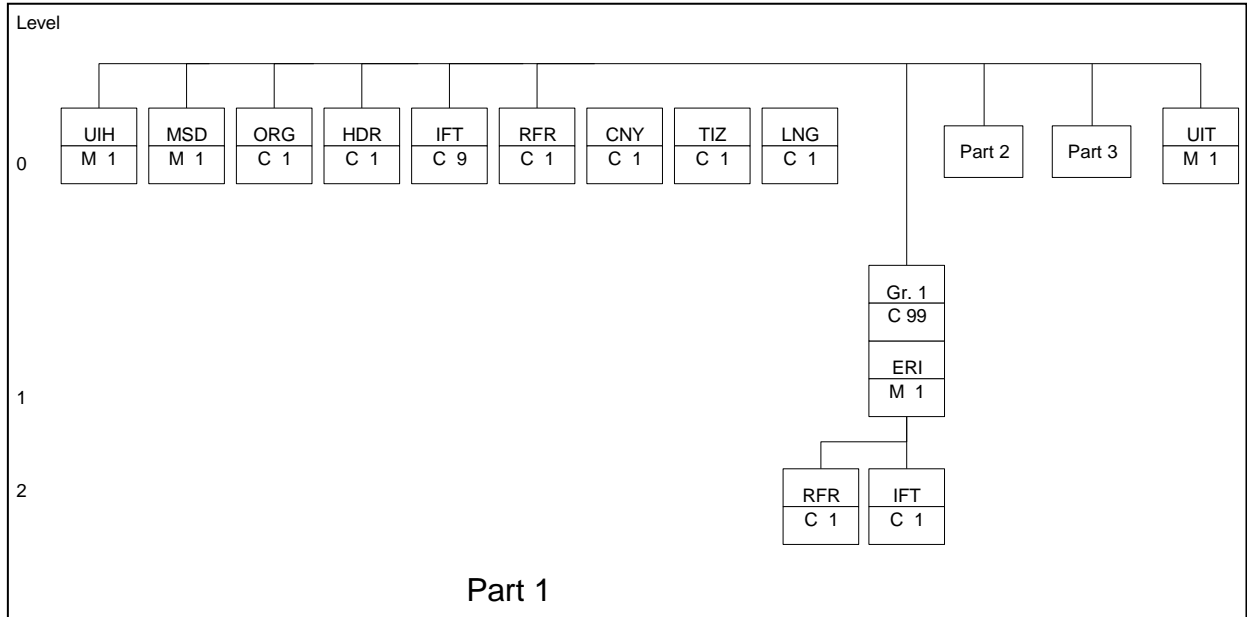
Function To end and check the completeness of a message.

| Tag | Tag | Name | St | Rp | Frmt | Comments |
|------|-----|--------------------------------------|----|----|--------|---|
| 0340 | | INTERACTIVE MESSAGE REFERENCE NUMBER | C | 1 | an..35 | Mandatory. The value shall be identical to the value in 0340 in the corresponding UIH segment |
| 0074 | | NUMBER OF SEGMENTS IN A MESSAGE | C | 1 | n..10 | Mandatory. Number of segments, including UIH and UIT |

Example UIT+1+8'

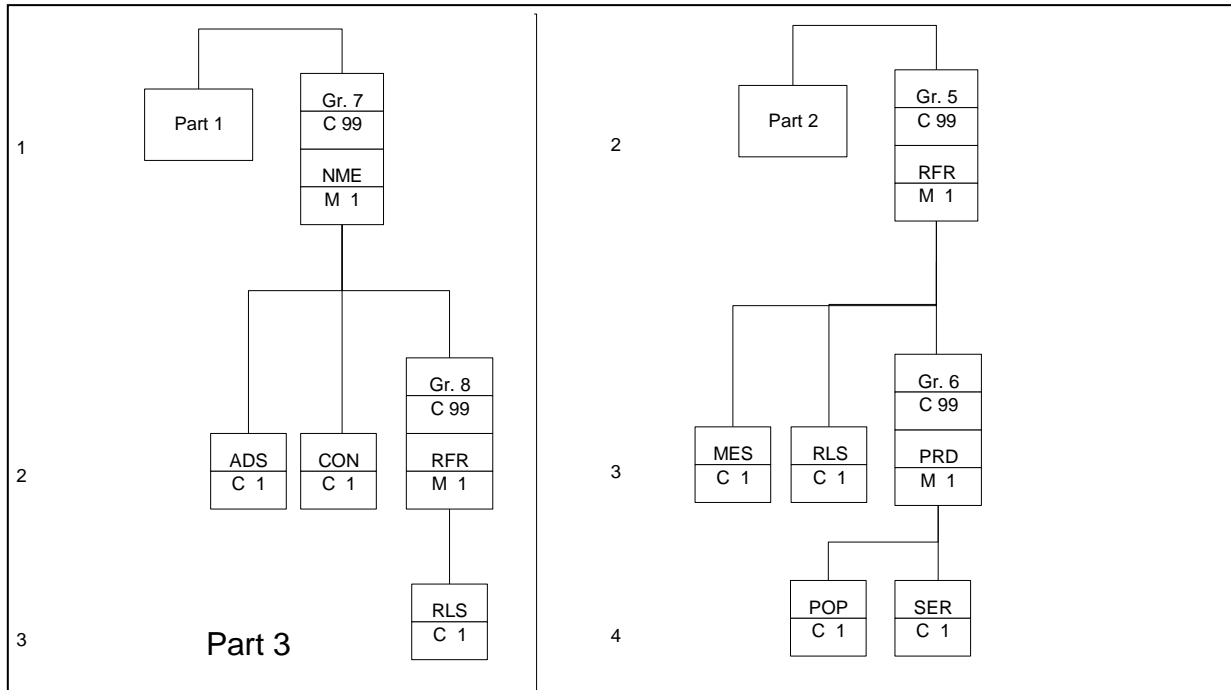
2.4.2 TSDUPD

2.4.2.1 Branching diagram



European Railway Agency

ERA/TD/2009-07/INT: ANNEX B.4 of TAP TSI



2.4.2.2 Segment table

| Pos | Tag Name | S | R |
|------|-------------------------------------|---|-------------|
| 0010 | UIH Interactive message header | M | 1 |
| 0020 | MSD Message action details | M | 1 |
| 0030 | ORG Originator of request details | C | 1 |
| 0040 | HDR Header information | C | 1 |
| 0050 | IFT Interactive free text | C | 9 |
| 0060 | RFR Reference | C | 1 |
| 0070 | CNY Country information | C | 1 |
| 0080 | TIZ Time zone information | C | 1 |
| 0090 | LNG Language | C | 1 |
| 0100 | ----- Segment group 1 ----- | C | 99-----+ |
| 0110 | ERI Application error information | M | 1 |
| 0120 | RFR Reference | C | 1 |
| 0130 | IFT Interactive free text | C | 1-----+ |
| 0140 | ----- Segment group 2 ----- | C | 99999-----+ |
| 0150 | ALS Additional location information | M | 1 |
| 0160 | ADS Address | C | 1 |
| 0170 | POP Period of operation | C | 9 |
| 0180 | CON Contact information | C | 1 |
| 0190 | TRF Traffic restriction details | C | 1 |
| 0200 | CNY Country information | C | 1 |
| 0210 | TIZ Time zone information | C | 1 |
| 0220 | LNG Language | C | 1 |
| 0230 | SER Facility information | C | 1 |
| 0240 | IFT Interactive free text | C | 9 |
| 0250 | ----- Segment group 3 ----- | C | 99-----+ |
| 0260 | ASD Service details | M | 1 |
| 0270 | CON Contact information | C | 1-----+ |

European Railway Agency

ERA/TD/2009-07/INT: ANNEX B.4 of TAP TSI

| | | | | | | |
|------|-------|--|-------|---|----|----------|
| 0280 | ----- | Segment group 4 | ----- | C | 99 | -----+ |
| 0290 | PRD | Product identification | | M | 1 | |
| 0300 | SER | Facility information | | C | 1 | |
| 0310 | FRQ | Frequency | | C | 1 | |
| 0320 | IFT | Interactive free text | | C | 1 | |
| 0330 | POR | Location and/or related time information | | C | 1 | -----+ |
| | | | | | | |
| 0340 | ----- | Segment group 5 | ----- | C | 99 | -----+ |
| 0350 | RFR | Reference | | M | 1 | |
| 0360 | MES | Measurements | | C | 1 | |
| 0365 | RLS | Relationship | | C | 1 | |
| | | | | | | |
| 0370 | ----- | Segment group 6 | ----- | C | 99 | -----+ |
| 0380 | PRD | Product identification | | M | 1 | |
| 0390 | POP | Period of operation | | C | 1 | |
| 0400 | SER | Facility information | | C | 1 | -----+++ |
| | | | | | | |
| 0410 | ----- | Segment group 7 | ----- | C | 99 | -----+ |
| 0420 | NME | Name | | M | 1 | |
| 0430 | ADS | Address | | C | 1 | |
| 0440 | CON | Contact information | | C | 1 | |
| | | | | | | |
| 0450 | ----- | Segment group 8 | ----- | C | 99 | -----+ |
| 0460 | RFR | Reference | | M | 1 | |
| 0470 | RLS | Relationship | | C | 1 | -----++ |
| 0480 | UIT | Interactive message trailer | | M | 1 | |

2.4.2.3 Segment specifications

Level 0 - UIH - Interactive message header

Function To head, identify and specify a message.

| Tag | Tag | Name | St | Rp | Frmt | Comments |
|------|------|--|----|----|--------|--|
| S306 | | INTERACTIVE MESSAGE IDENTIFIER | M | 1 | | |
| | 0065 | Message type | M | | an..6 | Value = TSDUPD |
| | 0052 | Message version number | M | | an..3 | Version number of the message type (Value = D) |
| | 0054 | Message release number | M | | an..3 | Release number of the message type (Value = 04A) |
| | 0113 | Message type sub-function identification | C | | an..6 | Not applicable |
| | 0051 | Controlling agency, coded | C | | an..3 | Value = UN |
| | 0057 | Association assigned code | C | | an..6 | Not applicable |
| 0340 | | INTERACTIVE MESSAGE REFERENCE NUMBER | C | 1 | an..35 | Mandatory. Sequence number allocated by the sender. It identifies the message within the interchange in a unique way |
| S302 | | DIALOGUE REFERENCE | C | 1 | | Mandatory. The value(s) in S302 shall be identical to the value(s) in the S302 in the preceding UIB |
| | 0300 | Initiator control reference | M | | an..35 | Value shall be identical to UIB/S302/0300 |
| | 0303 | Initiator reference identification | C | | an..35 | Not applicable |
| | 0051 | Controlling agency, coded | C | | an..3 | Not applicable |
| | 0304 | Responder control reference | C | | an..35 | Not applicable |
| S301 | | STATUS OF TRANSFER - INTERACTIVE | C | 1 | | |
| | 0320 | Sender sequence number | C | | n..6 | Not applicable |
| | 0323 | Transfer position, coded | C | | a1 | Not applicable |
| | 0325 | Duplicate indicator | C | | a1 | Not applicable |

European Railway Agency

ERA/TD/2009-07/INT: ANNEX B.4 of TAP TSI

| Tag | Tag | Name | St | Rp | Frmt | Comments |
|------|------|---------------------------------|----|----|--------|----------------|
| S300 | | DATE AND/FOR TIME OF INITIATION | C | 1 | | |
| | 0338 | Event date | C | | n..8 | Not applicable |
| | 0314 | Event time | C | | an..15 | Not applicable |
| | 0336 | Time offset | C | | n4 | Not applicable |
| 0035 | | TEST INDICATOR | C | 1 | n1 | Not applicable |

Example UIH+TSDUPD:D:04A::UN+3040+DIALOG-0'.

Level 0 - MSD - Message action details

Function To specify the message processing requirements.

Railway use • To convey delivery information (characteristic).
 • No more than one delivery characteristic, defined by business function (4025) and message function (1225), shall occur in a single dialogue delimited by UIB and UIZ.

| Tag | Tag | Name | St | Rp | Frmt | Comments |
|------|------|--------------------------------------|----|----|--------|---|
| E972 | | MESSAGE PROCESSING DETAILS | C | 1 | | |
| | 4025 | Business function code | C | | an..3 | Delivery characteristic (partial) Value = AAR (Rail-related business). See code list B.4.4025 |
| | 1225 | Message function code | C | | an..3 | Delivery characteristic (partial) See code list B.4.1225 - Values = 61 or 62 (Default = 61) |
| | 3055 | Code list responsible agency code | C | | an..3 | Not applicable |
| | 1225 | Message function code | C | | an..3 | Not applicable |
| | 1225 | Message function code | C | | an..3 | Not applicable |
| | 1225 | Message function code | C | | an..3 | Not applicable |
| | 1225 | Message function code | C | | an..3 | Not applicable |
| | 1225 | Message function code | C | | an..3 | Not applicable |
| | 1225 | Message function code | C | | an..3 | Not applicable |
| | 1225 | Message function code | C | | an..3 | Not applicable |
| | 1225 | Message function code | C | | an..3 | Not applicable |
| | 1225 | Message function code | C | | an..3 | Not applicable |
| | 1225 | Message function code | C | | an..3 | Not applicable |
| 4343 | | RESPONSE TYPE CODE | C | 5 | an..3 | Not applicable |
| E206 | | OBJECT IDENTIFICATION | C | 5 | | |
| | 7402 | Object identifier | M | | an..35 | Not applicable |
| | 7405 | Object identification code qualifier | C | | an..3 | Not applicable |
| | 4405 | Status description code | C | | an..3 | Not applicable |

Example MSD+AAR:61'

Level 0 - ORG - Originator of request details

Function To indicate the originator of request details.

Railway use To convey delivery information (data provider, service provider).

| Tag | Tag | Name | St | Rp | Frmt | Comments |
|------|------|-----------------------------------|----|----|--------|--|
| E973 | | DELIVERING SYSTEM DETAILS | C | 1 | | Mandatory |
| | 3036 | Party name | C | | an..35 | Mandatory. Provider of the message, i.e. the company that sends the message. Use the code list B.4.3039. |
| | 3225 | Location name code | C | | an..25 | Not applicable |
| | 3224 | Location name | C | | an..70 | Not applicable |
| E974 | | ORIGINATOR IDENTIFICATION DETAILS | C | 1 | | |
| | 3197 | Agent identifier | C | | an..9 | Not applicable |
| | 3465 | In-house identifier | C | | an..9 | Not applicable |

European Railway Agency

ERA/TD/2009-07/INT: ANNEX B.4 of TAP TSI

| Tag | Tag | Name | St | Rp | Frmt | Comments |
|------|------|----------------------------------|----|----|--------|---|
| | 3197 | Agent identifier | C | | an..9 | Not applicable |
| | 3036 | Party name | C | | an..35 | Not applicable |
| E975 | | LOCATION | C | 1 | | |
| | 3225 | Location name code | C | | an..25 | Not applicable |
| | 3224 | Place/location | C | | an..70 | Not applicable |
| | 3207 | Country name code | C | | an..3 | Not applicable |
| | 3227 | Location function code qualifier | C | | an..3 | Not applicable |
| 3036 | | PARTY NAME | C | 1 | an..35 | Mandatory. Provider of the data contained in the message. See code list B.4.3039. |
| 3457 | | ORIGINATOR TYPE CODE | C | 1 | an..3 | Not applicable |
| E976 | | ORIGINATOR DETAILS | C | 1 | | |
| | 3207 | Country name code | C | | an..3 | Not applicable |
| | 6345 | Currency identification code | C | | an..3 | Not applicable |
| | 3453 | Language name code | C | | an..3 | Not applicable |
| 3503 | | ACCESS AUTHORISATION IDENTIFIER | C | 1 | an..9 | Not applicable |

Example `ORG+0080+++EUROGARE'`

Level 0 - HDR - Header information

Function To specify header information applicable to the entire message.

Railway use This segment is used to convey delivery information (status, reference, dates and time, etc.).

| Tag | Tag | Name | St | Rp | Frmt | Comments |
|------|------|--|----|----|---------|---|
| 4405 | | STATUS DESCRIPTION CODE | M | 1 | an..3 | Delivery status. See code list B.4.4405. Values = 81, 21 or 113 |
| E013 | | DATE AND TIME INFORMATION | M | 4 | | The 4 occurrences of this composite may be used to specify the delivery's: <ul style="list-style-type: none"> • First date of validity • Date and time • Creation date • Release date The qualifier (2005) specifies which of these functions the data element 2380 has. |
| | 2005 | Date or time or period function code qualifier | M | | an..3 | See code list B.4.2005. Values = 11 = delivery date and time 45 = creation date and time 273 = first date of validity x = delivery release date |
| | 2380 | Date or time or period text | M | | an..35 | The following formats are to be used: <ul style="list-style-type: none"> • delivery date/time and creation date/time: yyyy-mm-ddThhmm • first date of validity: yyyy-mm-dd |
| | 2379 | Date or time or period format code | C | | an..3 | Not applicable |
| | 4440 | Free text value | C | | an..512 | Not applicable |
| 1154 | | REFERENCE IDENTIFIER | C | 1 | an..35 | Delivery reference number. Mandatory if the message contains an update to a previous delivery or if it contains a complete delivery that may be the subject of subsequent update messages. Absent in all other cases. |
| 4440 | | FREE TEXT VALUE | C | 1 | an..512 | Delivery free format reference |
| 7135 | | PRODUCT IDENTIFIER | C | 2 | an..35 | Not applicable |
| 3453 | | LANGUAGE NAME CODE | C | 1 | an..3 | See code list ISO 639-1. |

Example `HDR+81+273:1996-09-29/1997-05-31*11:1996-07-20T1422*45:1996-07-20T1422+0003'`

Level 1 - IFT - Interactive free text

| | |
|--------------------|-----------------------------------|
| <i>Function</i> | To provide free-form information. |
| <i>Railway use</i> | Not applicable |

Level 1 - RFR - Reference

Function To specify a reference.

Railway use An occurrence of the RFR segment must be present if the message contains an update to a previous delivery. It shall refer to that previous delivery. As such, it enables the recipient to check the chain of updates and to identify the delivery for which this message is an update. In all other cases the segment must be absent.

| Tag | Tag | Name | St | Rp | Frmt | Comments |
|------|------|-----------------------------------|----|----|--------|--|
| E506 | | REFERENCE | M | 1 | | |
| | 1153 | Reference function code qualifier | M | | an..3 | See code list B.4.1153 .Value = AGX |
| | 1154 | Reference identifier | C | | an..35 | Mandatory. Reference of the previous delivery. |
| | 1156 | Document line identifier | C | | an..6 | Not applicable |
| | 4000 | Reference version number | C | | an..35 | Not applicable |
| | 3036 | Party name | C | | an..35 | Not applicable |

Example RFR+AGX:0002'

Level 1 - CNY - Country Information

Function To specify country-related information : date and time of summer or winter time transition and related time variation, currency and language(s).

Railway use At this level, the segment defines the country applicable for all locations listed thereafter.

| Tag | Tag | Name | St | Rp | Frmt | Comments |
|------|------|--|----|----|---------|---|
| 3207 | | COUNTRY CODED | M | 1 | an..3 | See code list ISO 3166. |
| E013 | | DATE AND TIME INFORMATION | C | 2 | | Both occurrences may be used: the first to specify starting date of summer time and the second, the starting date of the wintertime. |
| | 2005 | Date or time or period function code qualifier | M | | an..3 | See code list B.4.2005. Value = 88 or 98 |
| | 2380 | Date or time or period text | M | | an..35 | Date in format: yyyy-mm-dd |
| | 2379 | Date or time or period format code | C | | an..3 | Not applicable |
| | 4440 | Free text value | C | | an..512 | Not applicable |
| 2705 | | TIME VARIATION QUANTITY | C | 2 | n..3 | Both occurrences may be used: the first to specify the time variation expressed in hours at the start of summer time and the second, the variation at start of winter time. |
| 6345 | | CURRENCY IDENTIFICATION CODE | C | 1 | an..3 | Currency of the country. See ISO code 4217. |
| 3453 | | LANGUAGE NAME CODE | C | 9 | an..3 | Official language(s) used in the country. See code list ISO 639-1 |

Example CNY+BE+88:1998-03-28*98:1998-09-27+1*1'

Level 1 - TIZ - Time Zone Information

Function To provide information about a time zone.
Railway use At this level, the segment defines the default time zone applicable to all locations listed thereafter.

| Tag | Tag | Name | St | Rp | Frmt | Comments |
|------|------|----------------------------|----|----|-------|--|
| E034 | | TIME_ZONE | M | 1 | | |
| | 2029 | Time zone identifier | M | | an..3 | Identification of time zone. See code list B.4.2029. |
| | 2020 | Time zone difference value | C | | n..4 | Time variation toward GMT expressed in hours. |

Example TIZ+WET:1'

Level 1 - LNG - Language

Function To specify a language..
Railway use At this level, the segment defines the default language applicable to all locations listed thereafter.

| Tag | Tag | Name | St | Rp | Frmt | Comments |
|------|------|--------------------|----|----|--------|---|
| 3455 | | LANGUAGE_QUALIFIER | M | 1 | an..3 | Type of language. See code list B.4.3455. |
| E508 | | LANGUAGE_DETAILS | C | 1 | | |
| | 3453 | Language name code | C | | an..3 | See code list ISO 639-1. |
| | 3452 | Language name | C | | an..35 | Not applicable |

Example LNG+6+FR'

Level 1 - Group 1 - ERI - Application error information

Function To identify the type of application error within a message.
Railway use

- This segment triggers Group 1, which may be used by the data recipient to signal errors in the delivery message.
- The segment is used to indicate the type of error occurring.

| Tag | Tag | Name | St | Rp | Frmt | Comments |
|------|------|-----------------------------------|----|----|-------|------------------------|
| E901 | | APPLICATION_ERROR_DETAILS | M | 1 | | |
| | 9321 | Application error code | M | | an..8 | See code list B.4.9321 |
| | 1131 | Code list identification code | C | | an..3 | Not applicable |
| | 3055 | Code list responsible agency code | C | | an..3 | Not applicable |

Example

Level 2 - Group 1 - RFR - Reference

Function To specify a reference.
Railway use This segment may be used to indicate the position in the message where the error has occurred. Its use must be discussed.

| Tag | Tag | Name | St | Rp | Frmt | Comments |
|------|------|-----------------------------------|----|----|--------|---|
| E506 | | REFERENCE | M | 1 | | |
| | 1153 | Reference function code qualifier | M | | an..3 | See code list. B.4.1153. Value = AWL |
| | 1154 | Reference identifier | C | | an..35 | Mandatory. Reference to the position of the error in the message. |
| | 1156 | Document line identifier | C | | an..6 | Not applicable |
| | 4000 | Reference version number | C | | an..35 | Not applicable |
| | 3036 | Party name | C | | an..35 | Not applicable |

Example

Level 2 - Group 1 - IFT - Interactive free text

Function To provide free-form information.

European Railway Agency

ERA/TD/2009-07/INT: ANNEX B.4 of TAP TSI

Railway use This segment may be used to give a textual description of the error. Its use needs to be discussed.

| Tag | Tag | Name | St | Rp | Frmt | Comments |
|------|------|-----------------------------|----|----|---------|---|
| E971 | | FREE TEXT QUALIFICATION | C | 1 | | |
| | 4451 | Text subject code qualifier | M | | an..3 | See code list B.4.4451. Value = AAO |
| | 4473 | Information type code | C | | an..4 | Not applicable |
| | 4405 | Status description code | C | | an..3 | Not applicable |
| | 3036 | Party name | C | | an..35 | Not applicable |
| | 3453 | Language name code | C | | an..3 | See code list ISO 639-1 |
| 4440 | | FREE TEXT VALUE | C | 99 | an..512 | Mandatory. Textual description of the error. Only one occurrence of the data element is used. |

Example IFT+AAO::::EN+DEPARTURE TIME MISSING'

Level 1 - Group 2 - ALS - Additional Location Information

Function To identify a location and specify its geographical co-ordinates.

Railway use

- This segment triggers Group 2, which specifies static information about locations.
- All stations, included border stations, must be indicated with their appropriate LOCATION FUNCTION CODE QUALIFIER.

| Tag | Tag | Name | St | Rp | Frmt | Comments |
|------|------|----------------------------------|----|----|--------|--|
| 3227 | | LOCATION FUNCTION CODE QUALIFIER | M | 1 | an..3 | See code list B.4.3227. |
| E975 | | LOCATION | M | 1 | | |
| | 3225 | Location name code | C | | an..25 | Mandatory. See code list B.4.3225 |
| | 3224 | Location name | C | | an..70 | Mandatory. Name of the location. |
| | 3207 | Country name code | C | | an..3 | Not applicable |
| | 3227 | Location function code qualifier | C | | an..3 | Not applicable |
| 6000 | | LATITUDE VALUE | C | 1 | an..10 | Mandatory. To specify the value of latitude, the angular distance, measured in degrees, minutes, and seconds, north or south from the equator (system WGS84). Format = ddmsssx dd = degrees mm = minutes ss = seconds x = N (North) or S (South) |
| 6002 | | LONGITUDE VALUE | C | 1 | an..11 | Mandatory. To specify the value of longitude i.e. the angular distance east or west on the earth's surface, measured by the angle and expressed in degrees, minutes, and seconds, which the meridian passing through a particular place makes with a standard or prime meridian (system WGS84). Format = ddmsssx dd = degrees mm = minutes ss = seconds x = E (East) or W (West) |

Example ALS+008814002:BRUXELLES MIDI

European Railway Agency

ERA/TD/2009-07/INT: ANNEX B.4 of TAP TSI

Level 2 - Group 2 - ADS - Address

Function To specify an address.
Railway use This segment may be used to specify the location address.

| Tag | Tag | Name | St | Rp | Frmt | Comments |
|------|------|-----------------------------------|----|----|--------|-----------------------------------|
| E817 | | ADDRESS USAGE | C | 1 | | |
| | 3299 | Address purpose code | C | | an..3 | Not applicable |
| | 3131 | Address type code | C | | an..3 | See code list B.4.3131. Value=1 |
| | 3475 | Address status code | C | | an..3 | See code list B.4.3475. Value=2 |
| E001 | | ADDRESS DETAILS | C | 1 | | |
| | 3477 | Address format code | M | | an..3 | See code list B.4.3477. Value = 5 |
| | 3286 | Address component description | M | | an..70 | |
| | 3286 | Address component description | C | | an..70 | Not applicable |
| | 3286 | Address component description | C | | an..70 | Not applicable |
| | 3286 | Address component description | C | | an..70 | Not applicable |
| | 3286 | Address component description | C | | an..70 | Not applicable |
| | 3286 | Address component description | C | | an..70 | Not applicable |
| 3164 | | CITY NAME | C | 1 | an..35 | Self-explanatory |
| 3251 | | POSTCODE IDENTIFICATION CODE | C | 1 | an..17 | Self-explanatory |
| 3207 | | COUNTRY NAME CODE | C | 1 | an..3 | See code list ISO 3166 |
| E819 | | COUNTRY SUB-ENTITY DETAILS | C | 1 | | |
| | 3229 | Country sub-entity name code | C | | an..9 | Not applicable |
| | 1131 | Code list identification code | C | | an..3 | Not applicable |
| | 3055 | Code list responsible agency code | C | | an..3 | Not applicable |
| | 3228 | Country sub-entity name | C | | an..35 | Not applicable |
| E517 | | LOCATION IDENTIFICATION | M | 1 | | |
| | 3225 | Location name code | C | | an..25 | Not applicable |
| | 1131 | Code list identification code | C | | an..3 | Not applicable |
| | 3055 | Code list responsible agency code | C | | an..3 | Not applicable |
| | 3224 | Location name | C | | an..70 | Not applicable |

Example ADS+:1:2+5:48 AVENUE FONSNY+BRUSSELS+1060+BE'

Level 2 - Group 2 - POP - Period of operation

Function To specify the date or time period with days of operation.
Railway use This segment has 9 occurrences to specify a period of operation (first and last date, days in the week), opening hours, and minimum connection time.

| Tag | Tag | Name | St | Rp | Frmt | Comments |
|------|------|--|----|----|---------|---|
| E013 | | DATE AND TIME INFORMATION | M | 1 | | |
| | 2005 | Date or time or period function code qualifier | M | | an..3 | See code list B.4.2005. Values 87 = minimum connection time 273 = period of operation or first date of validity 748 = opening hours |
| | 2380 | Date or time or period text | M | | an..35 | Formats: Period of operation: yyyy-mm-dd/yyyy-mm-dd First date of validity: yyyy-mm-dd Connection time: hhmm Opening hours: hhmm/hhmm |
| | 2379 | Date or time or period format code | C | | an..3 | Not applicable |
| | 4440 | Free text value | C | | an..512 | Not applicable |

European Railway Agency

ERA/TD/2009-07/INT: ANNEX B.4 of TAP TSI

| Tag | Tag | Name | St | Rp | Frmt | Comments |
|------|-----|-----------------------------|----|----|-------|---|
| 2160 | | DAYS OF WEEK SET IDENTIFIER | C | 1 | an..7 | String data representation of local day(s) of the week (Monday = 1, Tuesday = 2, etc.) on which the service operates. |
| 4405 | | STATUS DESCRIPTION CODE | C | 1 | an..3 | Not applicable |

Example POP+273:1997-09-29/1998-05-31++1234567'

Level 2 - Group 2 - CON - Contact Information

Function To specify contact communication numbers and names.

Railway use THIS SEGMENT MAY BE USED TO PROVIDE THE PHONE NUMBER, FAX NUMBER, TELEX NUMBER AND E-MAIL ADDRESS, (IN THAT ORDER), OF THE SERVICE LOCATION ADMINISTRATOR.

| Tag | Tag | Name | St | Rp | Frmt | Comments |
|------|------|--------------------------------|----|----|---------|---|
| E966 | | CONTACT INFORMATION | C | 20 | | |
| | 3035 | Party function code qualifier | M | | an..3 | Person, bureau or other instance that keeps the specified communication number. See code list B.4.3035. |
| | 3148 | Communication number | M | | an..512 | Phone number, fax number, telex and e-mail address (in that order). |
| | 3153 | Communication medium type code | C | | an..3 | See code list B.4.3153. Value = TE, FX, TL or EM |
| | 3036 | Party name | C | | an..35 | Not applicable |
| | 1154 | Reference identifier | C | | an..35 | Not applicable |

Example CON+WF:3225259152:TE*WF:3225252952:FX*WF:EDIFER@INFOBOARD.BE:EM'
The information desk's (WF) telephone (TE), fax (FX) and e-mail (EM) numbers/addresses

Level 2 - Group 2 - TRF - Traffic restriction details

Function To convey certain restrictions that apply to a travel-related object.

Railway use THIS SEGMENT MAY BE USED TO SPECIFY RESTRICTIONS RELATED TO THE LOCATION.

| Tag | Tag | Name | St | Rp | Frmt | Comments |
|------|------|---|----|----|---------|------------------------------------|
| E007 | | TRAFFIC RESTRICTION DETAILS | C | 5 | | Mandatory |
| | 8015 | Traffic restriction code | C | | an..3 | Mandatory. See code list B.4.8015. |
| | 8017 | Traffic restriction application code | C | | an..3 | Not applicable |
| | 8035 | Traffic restriction type code qualifier | C | | an..3 | Not applicable |
| | 4440 | Free text value | C | | an..512 | Not applicable |

Example TRF+1'

Level 2 - Group 2 - CNY - Country Information

Function To specify country-related information: date and time of summer or winter time transition and related time variation, currency and language(s).

Railway use At this level, the segment defines the country if different from the default country specified in the segment CNY (level 1).

| Tag | Tag | Name | St | Rp | Frmt | Comments |
|------|-----|---------------------------|----|----|------|---|
| 3207 | | COUNTRY CODED | M | 1 | | See code list ISO 3166. |
| E013 | | DATE AND TIME INFORMATION | C | 2 | | Both occurrences may be used: the first to specify the starting date of summer time and the second the starting date of the wintertime. |

European Railway Agency

ERA/TD/2009-07/INT: ANNEX B.4 of TAP TSI

| Tag | Tag | Name | St | Rp | Frmt | Comments |
|------|------|--|----|----|---------|--|
| | 2005 | Date or time or period function code qualifier | M | | an..3 | See code list B.4.2005. Value = 88 or 98 |
| | 2380 | Date or time or period text | M | | an..35 | Date in format: yyyy-mm-dd |
| | 2379 | Date or time or period format code | C | | an..3 | Not applicable |
| | 4440 | Free text value | C | | an..512 | Not applicable |
| 2705 | | TIME VARIATION | C | 2 | n..3 | Both occurrences may be used: the first to specify the time variation expressed in hours at the start of summer time and the second the variation at the start of winter time. |
| 6345 | | CURRENCY IDENTIFICATION CODE | C | 1 | an..3 | Currency of the country. See code list ISO code 4217.. |
| 3453 | | LANGUAGE NAME CODE | C | 9 | an..3 | Official language(s) used in the country. See code list ISO 639-1 |

Example CNY+BE+88:1998-03-28*98:1998-09-27+1*1'

Level 2 - Group 2 - TIZ - Time Zone Information

Function To provide information about a time zone.

Railway use At this level, the segment defines the time zone if different from the default time zone specified in the segment TIZ at level 1.

| Tag | Tag | Name | St | Rp | Frmt | Comments |
|------|------|----------------------------|----|----|-------|---|
| E034 | | TIME ZONE | M | 1 | | |
| | 2029 | Time zone identification | M | | an..3 | Identification of time zone. See code list B.4.2029.. |
| | 2020 | Time zone difference value | C | | n..4 | Time variation toward GMT expressed in hours. |

Example TIZ+WET:1'

Level 2 - Group 2 - LNG - Language

Function To specify a language.

Railway use At this level, the segment defines the default language if different from the default language specified in the segment LNG at level 1.

| Tag | Tag | Name | St | Rp | Frmt | Comments |
|------|------|--------------------|----|----|--------|---|
| 3455 | | LANGUAGE QUALIFIER | M | 1 | an..3 | Type of language. See code list B.4.3455. |
| E508 | | LANGUAGE DETAILS | C | 1 | | |
| | 3453 | Language name code | C | | an..3 | See code list ISO 639 |
| | 3452 | Language name | C | | an..35 | Not applicable |

Example LNG+6+EN'

Level 2 - Group 2 - SER - Facility information

Function To provide additional service information, followed by the period and days of operation.

Railway use THIS SEGMENT MAY BE USED TO SPECIFY MEANS OF TRANSPORT ALLOWING THE TRAVELLER TO CONTINUE HIS JOURNEY AND AVAILABLE AT THIS LOCATION.

| Tag | Tag | Name | St | Rp | Frmt | Comments |
|------|------|-------------------------------------|----|----|--------|------------------------------------|
| E965 | | FACILITIES | M | 99 | | |
| | 9039 | Facility type description code | C | | an..3 | Mandatory. See code list B.4.9039. |
| | 9038 | Facility type description | C | | an..70 | Not applicable |
| | 7133 | Product details type code qualifier | C | | an..3 | Not applicable |

European Railway Agency

ERA/TD/2009-07/INT: ANNEX B.4 of TAP TSI

| Tag | Tag | Name | St | Rp | Frmt | Comments |
|------|------|--|----|----|---------|----------------|
| | 7037 | Characteristic description code | C | | an..17 | Not applicable |
| 1229 | | ACTION REQUEST/NOTIFICATION DESCRIPTION CODE | C | | an..3 | Not applicable |
| 6350 | | UNITS QUANTITY | C | | n..15 | Not applicable |
| E013 | | DATE AND TIME INFORMATION | C | 99 | | Not applicable |
| | 2005 | Date or time or period function code qualifier | M | | an..3 | Not applicable |
| | 2380 | Date or time or period text | M | | an..35 | Not applicable |
| | 2379 | Date or time or period format code | C | | an..3 | Not applicable |
| | 4440 | Free text value | C | | an..512 | Not applicable |
| 2160 | | DAYS OF WEEK SET IDENTIFIER | C | 1 | an..7 | Not applicable |

Example SER+101'
Metro connection

Level 2 - Group 2 - IFT - Interactive free text

Function To provide free-form information.

Railway use This segment may be used to specify additional location names, e.g. names/alias names in other languages, or names that are restricted in length.

| Tag | Tag | Name | St | Rp | Frmt | Comments |
|------|------|-----------------------------|----|----|---------|--|
| E971 | | FREE TEXT QUALIFICATION | C | 1 | | |
| | 4451 | Text subject code qualifier | M | | an..3 | See code list B.4.4451. Value = AGW, X02 |
| | 4473 | Information type code | C | | an..4 | Not applicable |
| | 4405 | Status description code | C | | an..3 | Not applicable |
| | 3036 | Party name | C | | an..35 | Not applicable |
| | 3453 | Language name code | C | | an..3 | See code list ISO 639-1 |
| 4440 | | FREE TEXT VALUE | C | 99 | an..512 | Mandatory. Name of the location in the language specified in 3453. When element E971/4451 is set to X02 (Location short name), the length of location must not exceed 17 characters. |

Example IFT+AGW::::FR+AIX LA CHAPELLE'
IFT+AGW::::NL+AKEN'

Level 2 - Group 3 - ASD - Service details

Function To specify the time, date, location and additional characteristic information related to a service.

Railway use

- This segment triggers the Group 3, which specifies service available in the Service Location.
- This segment may be used to identify a service

The ASD segment can describe only one service. Repeat the segment as required (up to 99 times).

| Tag | Tag | Name | St | Rp | Frmt | Comments |
|------|------|------------------------|----|----|--------|--|
| E959 | | SERVICE DETAILS | M | 99 | | One occurrence only. |
| | 7161 | Special service, coded | M | | an..3 | Identification of the extra service. See code list B.4.7161. |
| | 2002 | Time value | C | | n4 | Extra service first time or additional first time (format = hhmm). |
| | 2002 | Time value | C | | n4 | Extra service last time or additional last time (format = hhmm). |
| | 2000 | Date value | C | | an..14 | Not applicable |
| | 3224 | Location name | C | | an..70 | Not applicable |

European Railway Agency

ERA/TD/2009-07/INT: ANNEX B.4 of TAP TSI

| Tag | Tag | Name | St | Rp | Frmt | Comments |
|------|------|--|----|----|---------|--|
| | 3225 | Location name code | C | | an..25 | Not applicable |
| | 3227 | Location function code qualifier | C | | an..3 | Not applicable |
| | 7037 | Characteristic description code | C | | an..17 | Not applicable |
| | 3223 | First related location name code | C | | an..25 | Exact location of the service |
| | 3207 | Country name code | C | | an..3 | Not applicable |
| | 7160 | Special service description | C | | an..35 | Not applicable |
| | 7036 | Characteristic description | C | | an..35 | Not applicable |
| | 1229 | Action request/notification description code | C | | an..3 | Not applicable |
| | 3233 | Second related location name code | C | | an..25 | Not applicable |
| | 3453 | Language name code | C | | an..3 | Not applicable |
| | 6072 | Frequency value | C | | n..9 | Not applicable |
| | 6411 | Measurement unit code | C | | an..3 | Not applicable |
| | 6060 | Quantity | C | | an..35 | |
| | 3036 | Party name | C | | an..35 | |
| E013 | | DATE AND TIME INFORMATION | C | 99 | | One occurrence only. Definition of the availability period of the extra service. If omitted: always available. |
| | 2005 | Date or time or period function code qualifier | M | | an..3 | See code list B.4.2005. Value = 273 |
| | 2380 | Date or time or period text | M | | an..35 | Period of availability. Format = yyyy-mm-dd/yyyy-mm-dd |
| | 2379 | Date or time or period format code | C | | an..3 | Not applicable |
| | 4440 | Free text value | C | | an..512 | Not applicable |
| 2160 | | DAYS OF WEEK SET IDENTIFIER | C | 1 | an..7 | String data representation of local day(s) of the week (Monday = 1, Tuesday = 2, etc.). |

Example ASD+26++67'
= A snack is served on Saturdays and Sundays.

Level 3 - Group 3 - CON - Contact Information

Function To specify contact communication numbers and names.
Railway use THIS SEGMENT MAY BE USED TO PROVIDE THE PHONE AND FAX NUMBER OF THE SERVICE PROVIDER.

| Tag | Tag | Name | St | Rp | Frmt | Comments |
|------|------|--------------------------------|----|----|---------|--|
| E966 | | CONTACT INFORMATION | C | 20 | | |
| | 3035 | Party function code qualifier | M | | an..3 | See code list B.4.3035. Value = HN |
| | 3148 | Communication number | M | | an..512 | Phone number and fax number |
| | 3153 | Communication medium type code | C | | an..3 | See code list B.4.3153. Value = TE or FX |
| | 3036 | Party name | C | | an..35 | Not applicable |
| | 1154 | Reference identifier | C | | an..35 | Not applicable |

Example CON+HN:3225252989:TE'

Level 2 - Group 4 - PRD - Product identification

Function To identify a minimum connection time between undertakings and/or products in one location.
Railway use This segment may be used to provide the minimum connecting time between different railway undertakings and /or products operated by them within one station. One station is determined by a unique location code identifier.

European Railway Agency

ERA/TD/2009-07/INT: ANNEX B.4 of TAP TSI

| Tag | Tag | Name | St | Rp | Frmt | Comments |
|------|------|--|----|----|--------|--|
| E989 | | PRODUCT IDENTIFICATION DETAILS | C | 9 | | |
| | 7135 | Product identifier | C | | an..35 | Not applicable |
| | 7037 | Characteristic description code | C | | an..17 | Not applicable |
| | 7139 | Product characteristic identification code | C | | an..3 | Not applicable |
| | 7009 | Item description code | C | | an..17 | Train type or Brand name of the delivering service. See code list B.4.7009 |
| | 7009 | Item description code | C | | an..17 | Train type or Brand name of the receiving service. See code list B.4.7009 |
| | 7009 | Item description code | C | | an..17 | Not applicable |
| | 9608 | Product name | C | | an..35 | The minimum connection time between these services. Format: Connection time: hhmm |
| 3036 | | PARTY NAME | C | 6 | an..35 | <ol style="list-style-type: none"> 1. Service provider of the delivering service. Use the code list B.4.3039 2. Service provider of the receiving service. Use the code list B.4.3039. |

Example PRD+::::8:11::0010:+1080*1088'
Minimum connecting time between a DB high-speed train and a SNCB regional train of 10 minutes.

Level 3 - Group 4 - SER - Facility information

Function To provide additional service information to a minimum connection time between undertakings and/or products in one location..

Railway use This segment specifies information about properties of location connections (e.g. if they are accessible for wheelchair users). There is only one occurrence of this segment within Group 4.

| Tag | Tag | Name | St | Rp | Frmt | Comments |
|------|------|--|----|----|---------|------------------------------------|
| E965 | | FACILITIES | M | 99 | | |
| | 9039 | Facility type description code | C | | an..3 | Mandatory. See code list B.4.9039. |
| | 9038 | Facility type description | C | | an..70 | Not applicable |
| | 7133 | Product details type code qualifier | C | | an..3 | Not applicable |
| | 7037 | Characteristic description code | C | | an..17 | Not applicable |
| 1229 | | ACTION REQUEST/NOTIFICATION DESCRIPTION CODE | C | | an..3 | Not applicable. |
| 6350 | | UNITS QUANTITY | C | | n..15 | Not applicable. |
| E013 | | DATE AND TIME INFORMATION | C | 99 | | Not applicable. |
| | 2005 | Date or time or period function code qualifier | M | | an..3 | Not applicable. |
| | 2380 | Date or time or period text | M | | an..35 | Not applicable. |
| | 2379 | Date or time or period format code | C | | an..3 | Not applicable |
| | 4440 | Free text value | C | | an..512 | Not applicable. |
| 2160 | | DAYS OF WEEK SET IDENTIFIER | C | 1 | an..7 | Not applicable. |

Example SER+28'
= The connection is accessible by wheelchairs.

If the value 28 of the code list B.4.9039 is used, the concerned link has to be recognized as wheelchair accessible and the corresponding minimum connection time is valid for wheelchair users. A second link may be defined in Level 2 - Group 4 - PRD for the connection time for non-wheelchair passengers.

Level 3 - Group 4 - FRQ - Frequency

| | |
|--------------------|------------------------------------|
| <i>Function</i> | To provide details of frequencies. |
| <i>Railway use</i> | Not applicable |

Level 3 - Group 4 - IFT - Interactive free text

| | |
|--------------------|-----------------------------------|
| <i>Function</i> | To provide free-form information. |
| <i>Railway use</i> | Not applicable |

Level 3 - Group 4 - POR - Location and/or related time information

| | |
|--------------------|---|
| <i>Function</i> | To provide information about a location relating to a service in the following sequence: arrival time, departure time, arrival sub-location and departure sub-location, traffic restrictions. |
| <i>Railway use</i> | Not applicable |

Level 2 - Group 5 - RFR - Reference

- Function* To specify a reference.
- Railway use* This segment triggers Group 5. It is used to identify a location reference related to the location described in ALS.
- The relationship between locations is given by element 1153. This can be:
- Where 1153 = X01, element 1154 contains a reservation identifier for the ALS location (1153 = X01). In this case the remaining segments of Group 5 (MES and RLS) are not used.
 - Where element 1153 = AWN, element 1154 contains the timetable identifier of a location (location name code) to which the location described in ALS is related. In this case element RLS/E941/9143 is used to specify further the type of relationship which can be:
 - 9143 = 6: There is the possibility to transfer from one location to the other in a given time (specified in segment MES).
 - 9143 = 14: The location is part of a group headed by the ALS location (e.g., stations in a tariff zone)

| Tag | Tag | Name | St | Rp | Frmt | Comments |
|------|------|-----------------------------------|----|----|--------|--|
| E506 | | REFERENCE | M | 1 | | |
| | 1153 | Reference function code qualifier | M | | an..3 | See code list B.4.1153. Values: AWN: location name code X01: reservation identifier |
| | 1154 | Reference identifier | C | | an..35 | Mandatory. Reference to a location name code (1153 = AWN) or reference to a reservation identifier (1153 = X01) |
| | 1156 | Document line identifier | C | | an..6 | Not applicable |
| | 4000 | Reference version number | C | | an..35 | Not applicable |
| | 3036 | Party name | C | | an..35 | Not applicable |

Example RFR+AWN:008711300'
= Reference to location 008711300, which is 'PARIS EST'

Level 3 - Group 5 - MES - Measurements

- Function* To specify physical measurements, including dimension tolerances, weights and counts.
- Railway use*
- This segment may be used to specify the transfer time and the distance to the location referenced in Gr5/RFR from the specified location **in Gr2/ALS**.
 - Only one occurrence of E175 for transfer time (value MIN for 6411) and only one occurrence for distance (value MTR) is allowed.
 - The reference is unidirectional, i.e. it describes not the distance from the location referenced in RFR segment to the specified location.¹

| Tag | Tag | Name | St | Rp | Frmt | Comments |
|------|------|-------------------------------|----|----|-------|---|
| E175 | | MEASUREMENT VALUE AND DETAILS | M | 9 | | |
| | 6314 | Measurement value | M | | n..18 | Transfer time or distance. |
| | 6411 | Measure unit code | C | | an..3 | Mandatory. Unit of measurement. See code list B.4.6411. Values = MIN, MTR. At least the measurement in minutes (MIN) has to be given. |
| | 6313 | Measurement dimension, coded | C | | an..3 | Not applicable. |
| | 6321 | Measurement significance code | C | | an..3 | Not applicable. "Exact value" assumed. |

Example MES+10:MIN*125:MTR'
 = The distance from the given location to the location referenced in RFR is 125 m, the transfer time between the locations is 10 Minutes.

Level 3 - Group 5 - RLS - Relationship

- Function* To identify the direct relationship between the data/information contained in one segment and the data/information contained in one or more other segments.
- Railway use* This segment identifies the relationship between the locations defined in Group1/ALS and Group5/RFR. The valid relationships are:
- Pedestrian link between two stations
 - Grouping of stations
 - Connection between a tourism location and a stations
- This segment is mandatory in Group 5 unless Group5/RFR/1153 identifies the reference to be a reservation identifier (X01).
- The segment is mandatory in case of stations with more than one location name code to link them by pedestrian links (e.g. border stations with two infrastructure managers)

| Tag | Tag | Name | St | Rp | Frmt | Comments |
|------|------|-----------------------------------|----|----|--------|---|
| 9141 | | RELATIONSHIP TYPE CODE QUALIFIER | M | 1 | an..3 | See code list B.4.9141. Value = 13 |
| E941 | | RELATIONSHIP | C | 1 | | |
| | 9143 | Relationship description code | C | | an..3 | Mandatory. See code list B.4.9143. Values = 6 or 14 |
| | 1131 | Code list identification code | C | | an..3 | Not applicable |
| | 3055 | Code list responsible agency code | C | | an..3 | Not applicable. |
| | 9142 | Relationship description | C | | an..35 | Not applicable |

Example RLS+13+14 '
 The location specified in the RFR segment is a child of (belongs to) the location specified in the ALS segment

¹ There are a number of locations where the transfer time from the first to the second differs to the transfer time from the second to the first.

Allowed combinations of location references

| Location A Function of the location (ALS/E975/3227) to which reference is made in segment RFR | Relationship code (RLS/E941/9143) | Location B Function of the location defined in segment ALS (ALS/E975/3227) | Remarks |
|--|-----------------------------------|---|---|
| 29 (station) | 6 (pedestrian link) | 29 (station) | Pedestrian link (from B to A) |
| 29 (station) | 14 (is part of) | 26 (city/meta station) | A belongs to the grouping of locations B |
| 29 (station) | 14 (is part of) | 29 (station) | A is a substation of B |
| 250 (tourism location) | 6 (connect to) | 29 (station) | A is a tourism location accessible via station B. |

Constraints:

- The location hierarchy defined in the table above consists of 3 levels:
 1. substation (ALS/E975/3227 = 29)
 2. (main) station (ALS/E975/3227 = 29)
 3. grouping of stations (City) (ALS/E975/3227 = 26)

A station cannot be at the same time „substation“ and „main station“, nor can it be at the same time „station“ and „grouping of stations (city)“.

- A grouping of stations (city) (ALS/E975/3227 = 26) cannot be referenced by trains.
- A grouping of stations (city) (ALS/E975/3227 = 26) cannot be referenced by (pedestrian) links.

Example of related locations translated in group 2 of the TSDUPD message (the code values are fictitious):

| | |
|---|---|
| ALS+29+008727101:Paris Nord Eurostar' | Definition of the Eurostar terminal in Paris Nord |
| RFR+AWN:008727103' | Reference to Paris Nord Banlieue |
| MES+5:MIN' | The time needed to transfer from Paris Nord Eurostar to Paris Nord Banlieue is 5 minutes |
| RLS+13+6' | There is a (pedestrian) connection from Paris Nord Eurostar to Paris Nord Banlieue |
| ALS+29+008727102:Paris Nord Grandes Lignes' | Definition of the Grandes Lignes (sub)station in Paris Nord |
| ALS+29+008727103:Paris Nord Banlieue' | Definition of the Banlieue (sub)station in Paris Nord |
| RFR+AWN:008727101' | Reference to Paris Nord Eurostar |
| MES+10:MIN' | The time needed to transfer from Paris Nord Banlieue to Paris Nord Eurostar is 10 minutes |
| RLS+13+6' | There is a (pedestrian) connection from Paris Nord Banlieue to Paris Nord Eurostar |
| ALS+29+008727100:Paris Nord' | Definition of station Paris Nord |
| RFR+AWN:008727101' | Reference to Paris Nord Eurostar |
| RLS+13+14' | Paris Nord Eurostar is a child of Paris Nord |
| RFR+AWN:008727102' | Reference to Paris Nord Grandes Lignes |
| RLS+13+14' | Paris Nord Grandes Lignes is a child of Paris Nord |
| RFR+AWN:008727103' | Reference to Paris Nord Banlieue |
| RLS+13+14' | Paris Nord Banlieue is a child of Paris Nord |
| ALS+26+008775000:Paris' | Definition of the city of Paris |
| RFR+AWN:008727100' | Reference to Paris Nord |
| RLS+13+14' | Paris Nord is a child of the city of Paris |

Level 4 - Group 6 - PRD - Product identification

European Railway Agency

ERA/TD/2009-07/INT: ANNEX B.4 of TAP TSI

Function To identify a minimum connection time between undertakings and/or products between two locations.

Railway use This segment may be used to provide the minimum connecting time between different railway undertakings and /or products operated by them. This item has to be used to specify the minimum connecting time between two locations with different location codes. The minimum connecting time is specified in Level 3 - Group 5 – MES.

| Tag | Tag | Name | St | Rp | Frmt | Comments |
|------|------|--|----|----|--------|--|
| E989 | | PRODUCT IDENTIFICATION DETAILS | C | 9 | | |
| | 7135 | Product identifier | C | | an..35 | Not applicable |
| | 7037 | Characteristic description code | C | | an..17 | Not applicable |
| | 7139 | Product characteristic identification code | C | | an..3 | Not applicable |
| | 7009 | Item description code | C | | an..17 | Train type or Brand name of the delivering service. See code list B.4.7009 |
| | 7009 | Item description code | C | | an..17 | Train type or Brand name of the receiving service. See code list B.4.7009 |
| | 7009 | Item description code | C | | an..17 | Not applicable |
| | 9608 | Product name | C | | an..35 | Not applicable |
| 3036 | | PARTY NAME | C | 6 | an..35 | <ol style="list-style-type: none"> 1. Service provider of the delivering service. Use the code list B.4.3039 2. Service provider of the receiving service. Use the code list B.4.3039. |

Example ALS+29+008814002:BRUXELLES MIDI EUROSTAR'
 RFR+AWN: 008814001'
 MES+10:MIN'
 RLS+13+6'
 PRD+:::8:8:+0019*1080'
 These elements specify the minimum connecting time of 10 minutes between a Eurostar high speed train and a DB high-speed train between Brussels Midi Eurostar terminal and Brussels-Midi.

Level 4 - Group 6 - POP - Period of operation

Function To specify the date or time period with days of operation.

Railway use This segment is used to specify a period of operation (first and last date, days in the week) or the opening hours of a location connection. It shall only exist for location connections (Gr.5/RLS/E941/9143 = 6 (pedestrian link)). There is only one occurrence of this segment within Group 6.

| Tag | Tag | Name | St | Rp | Frmt | Comments |
|------|------|--|----|----|-------------|--|
| E013 | | DATE AND TIME INFORMATION | M | 1 | | |
| | 2005 | Date or time or period function code qualifier | M | | an..3 | See code list B.4.2005. Values = 273 = period of operation 748 = opening hours |
| | 2380 | Date or time or period text | M | | an..35 | <ul style="list-style-type: none"> • Period of operation. Format = yyyy-mm-dd/yyyy-mm-dd • Opening hours. Format = hhmm/hhmm |
| | 2379 | Date or time or period format code | C | | an..3 | Not applicable |
| | 4440 | Free text value | C | | an..51 2 | Not applicable |
| 2160 | | DAYS OF WEEK SET IDENTIFIER | C | 1 | an..7 | String data representation of local day(s) of the week (Monday = 1, Tuesday = 2, etc.) on which the service operates. |

European Railway Agency

ERA/TD/2009-07/INT: ANNEX B.4 of TAP TSI

| Tag | Tag | Name | St | Rp | Frmt | Comments |
|------|-----|-------------------------|----|----|-------|----------------|
| 4405 | | STATUS DESCRIPTION CODE | C | 1 | an..3 | Not applicable |

Example PRD' POP+273:1997-09-29/1998-05-31++1234567'

Level 4 - Group 6 - SER - Facility information

Function To provide additional service information, followed by the period and days of operation.
Railway use This segment specifies information about properties of location connections. It shall only exist for location connections (Gr.5/RLS/E941/9143 = 6 (pedestrian link)). There is only one occurrence of this segment within Group 6.

| Tag | Tag | Name | St | Rp | Frmt | Comments |
|------|------|--|----|----|---------|------------------------------------|
| E965 | | FACILITIES | M | 99 | | |
| | 9039 | Facility type description code | C | | an..3 | Mandatory. See code list B.4.9039. |
| | 9038 | Facility type description | C | | an..70 | Not applicable |
| | 7133 | Product details type code qualifier | C | | an..3 | Not applicable |
| | 7037 | Characteristic description code | C | | an..17 | Not applicable |
| 1229 | | ACTION REQUEST/NOTIFICATION DESCRIPTION CODE | C | | an..3 | Not applicable. |
| 6350 | | UNITS QUANTITY | C | | n..15 | Not applicable. |
| E013 | | DATE AND TIME INFORMATION | C | 99 | | Not applicable. |
| | 2005 | Date or time or period function code qualifier | M | | an..3 | Not applicable. |
| | 2380 | Date or time or period text | M | | an..35 | Not applicable. |
| | 2379 | Date or time or period format code | C | | an..3 | Not applicable |
| | 4440 | Free text value | C | | an..512 | Not applicable. |
| 2160 | | DAYS OF WEEK SET IDENTIFIER | C | 1 | an..7 | Not applicable. |

Example SER+28'
 = The location connection is accessible by wheelchairs.

If the value 28 of the code list B.4.9039 is used, the concerned link has to be recognized as wheelchair accessible and the corresponding minimum connection time is valid for wheelchair users. A second link may be defined for the connection time for non-wheelchair passengers.

Calculation rules for minimum connection time within one location

For the calculation of the minimum connection time within a location (e.g. a train station) the following rules have to be applied:

1. If a specific minimum connection time for the pair of delivering/receiving services is defined in SKDUPD - Level 5 - Group 8 - TCE - Time and certainty, then this time has to be applied for the minimum connection time between two services
2. If a specific minimum connection time between the train type or brand name of the delivering railway undertaking service and the train type/brand name of the receiving railway undertaking service is defined in TSDUPD - Level 2 - Group 4 - PRD, then this time has to be applied for the minimum connection time.
3. If a specific minimum connection time between the train type or brand name of the delivering service and the train type/brand name of the receiving service is defined in TSDUPD - Level 2 - Group 4 - PRD - not taking into account the railway undertaking -, then this time has to be applied for the minimum connection time.
4. If a specific minimum connection time between the delivering railway undertaking service and the receiving railway undertaking service is defined TSDUPD - Level 2 - Group 4 - PRD, then this time has to be applied for the minimum connection time.
5. Otherwise the default minimum connection time defined in TSDUPD - Level 2 - Group 2 - POP - Period of operation has to be applied.

Calculation rules for minimum connecting time between two locations

For the calculation of the minimum connection time between two locations (e.g. a train stations) the following rules have to be applied:

1. If a specific minimum connection time between the train type or brand name of the delivering railway undertaking services and the train type/brand name of the receiving railway undertaking services is defined in TSDUPD - Level 4 - Group 6 - PRD, then this time has to be applied for the minimum connection time.
2. If a specific minimum connection time between the train type or brand name of the delivering service and the train type/brand name of the receiving service is defined in TSDUPD - Level 4 - Group 6 – PRD – not taking into account the railway undertaking -, then this time has to be applied for the minimum connection time.
3. If a specific minimum connection time between the delivering railway undertaking services and the receiving railway undertaking services is defined TSDUPD - Level 4 - Group 6 - PRD, then this time has to be applied for the minimum connection time.
4. If a specific minimum connection time between two stations is defined Level 3 - Group 5 - MES - Measurements, then this time has to be applied for the minimum connection time.
5. Otherwise no minimum connection time can be applied.

These locations have to be linked by an element Level 2 - Group 5 - RFR – Reference.

Responsibilities for the maintenance of Minimum connection times

The minimum connection times have to be maintained by the following parties:

European Railway Agency

ERA/TD/2009-07/INT: ANNEX B.4 of TAP TSI

| | Minimum connection time | Element(s) | Responsible party | Mandatory/Optional |
|-----------------------|---|---|--|--------------------|
| Within one location | Default minimum connection time within a station | TSDUPD - Level 2 - Group 2 - POP - Period of operation | Station manager/Infrastructure manager/Railway undertakings | Optional |
| | specific minimum connection time determined by train type/brand name of the involved undertakings | TSDUPD - Level 2 - Group 4 - PRD | Railway undertakings on bilateral agreements. Each undertaking has to specify the minimum connection time for his role as delivering railway undertaking and the role of the partner undertaking as receiving undertaking. | Optional |
| | specific minimum connection time determined by the involved train types or brand names | TSDUPD - Level 2 - Group 4 - PRD | Railway undertakings | Optional |
| | specific minimum connection time determined by the involved undertakings | TSDUPD - Level 2 - Group 4 - PRD | Railway undertakings on bilateral agreements. Each undertaking has to specify the minimum connection time for his role as delivering railway undertaking. | Optional |
| Between two locations | minimum connection time between two stations | Level 2 - Group 5 - RFR – Reference Level 3 - Group 5 - MES - Measurements | Station manager/Infrastructure manager/Railway undertakings | Optional |
| | specific minimum connection time determined by train type/brand name of the involved undertakings | TSDUPD - Level 4 - Group 6 - PRD | Railway undertakings on bilateral agreements. Each undertaking has to specify the minimum connection time for his role as delivering railway undertaking. | Optional |
| | specific minimum connection time determined by the involved train types or brand names | TSDUPD - Level 4 - Group 6 - PRD | Railway undertakings | Optional |
| | specific minimum connection time determined by the involved undertakings | TSDUPD - Level 4 - Group 6 - PRD | Railway undertakings on bilateral agreements. Each undertaking has to specify the minimum connection time for his role as delivering railway undertaking. | Optional |

Level 1 - Group 7 - NME - Name

Function To identify the name of a person or entity.

- Railway use*
- This segment triggers Group 7, which provides information about a party.
 - This segment is used to identify and qualify a party.

European Railway Agency

ERA/TD/2009-07/INT: ANNEX B.4 of TAP TSI

| Tag | Tag | Name | St | Rp | Frmt | Comments |
|------|------|-------------------------------|----|----|--------|---|
| E012 | | NAME INFORMATION | M | 9 | | |
| | 3035 | Party function code qualifier | M | | an..3 | See code list B.4.3035. Value = DDO |
| | 3036 | Party name | C | | an..35 | Name of the party. See code list B.4.3039. |
| | 3039 | Party identifier | C | | an..35 | Identification of the party. See code list B.4.3039 |
| | 3397 | Name Status description code | C | | an..3 | Not applicable |

Example NME+DDO:SNCF:0087'

Level 2 - Group 7 - ADS - Address

Function To specify an address.

Railway use This segment may be used to specify the address of the party

| Tag | Tag | Name | St | Rp | Frmt | Comments |
|------|------|-----------------------------------|----|----|--------|-----------------------------------|
| E817 | | ADDRESS USAGE | C | 1 | | |
| | 3299 | Address purpose code | C | | an..3 | Not applicable |
| | 3131 | Address type code | C | | an..3 | See code list B.4.3131. Value = 1 |
| | 3475 | Address status code | C | | an..3 | See code list B.4.3475. Value = 2 |
| E001 | | ADDRESS DETAILS | C | 1 | | |
| | 3477 | Address format code | M | | an..3 | See code list B.4.3477. Value = 5 |
| | 3286 | Address component description | M | | an..70 | |
| | 3286 | Address component description | C | | an..70 | Not applicable |
| | 3286 | Address component description | C | | an..70 | Not applicable |
| | 3286 | Address component description | C | | an..70 | Not applicable |
| | 3286 | Address component description | C | | an..70 | Not applicable |
| | 3286 | Address component description | C | | an..70 | Not applicable |
| | 3164 | CITY NAME | C | 1 | an..35 | Self-explanatory |
| 3251 | | POSTCODE IDENTIFICATION CODE | C | 1 | an..17 | Self-explanatory |
| 3207 | | COUNTRY NAME CODE | C | 1 | an..3 | See code list. ISO 3166 |
| E819 | | COUNTRY SUB-ENTITY DETAILS | C | 1 | | |
| | 3229 | Country sub-entity name code | C | | an..9 | Not applicable |
| | 1131 | Code list identification code | C | | an..3 | Not applicable |
| | 3055 | Code list responsible agency code | C | | an..3 | Not applicable |
| | 3228 | Country sub-entity name | C | | an..35 | Not applicable |
| E517 | | LOCATION IDENTIFICATION | M | 1 | | |
| | 3225 | Location name code | C | | an..25 | Not applicable |
| | 1131 | Code list identification code | C | | an..3 | Not applicable |
| | 3055 | Code list responsible agency code | C | | an..3 | Not applicable |
| | 3224 | Location name | C | | an..70 | Not applicable |

Example ADS+:1:2+5:48 AVENUE FONSNY+BRUSSELS+1060+BE'

Level 2 - Group 7 - CON - Contact Information

Function To specify contact communication numbers and names.

Railway use THIS SEGMENT MAY BE USED TO PROVIDE THE COMMUNICATION NUMBER RELATED TO THE PARTY

| Tag | Tag | Name | St | Rp | Frmt | Comments |
|------|------|-------------------------------|----|----|---------|---|
| E966 | | CONTACT INFORMATION | C | 20 | | |
| | 3035 | Party function code qualifier | M | | an..3 | Person, bureau or other instance that keeps the specified communication number. See code list B.4.3035. |
| | 3148 | Communication number | M | | an..512 | Phone number, fax number, telex and e-mail address in that order. |

European Railway Agency

ERA/TD/2009-07/INT: ANNEX B.4 of TAP TSI

| | | | | | | |
|--|------|--------------------------------|---|--|--------|--|
| | 3153 | Communication medium type code | C | | an..3 | See code list B.4.3153. Value = TE, FX, TL or EM |
| | 3036 | Party name | C | | an..35 | Not applicable |
| | 1154 | Reference identifier | C | | an..35 | Not applicable |

Example CON+WF:3225253496:FX'

Level 2 - Group 8 - RFR - Reference

Function To specify a reference.

- Railway use*
- This segment triggers Group 8, used to refer to a party to which the party described in NME is related.
 - This segment gives the identification of the related party.

| Tag | Tag | Name | St | Rp | Frmt | Comments |
|------|------|-----------------------------------|----|----|--------|-------------------------------------|
| E506 | | REFERENCE | M | 1 | | |
| | 1153 | Reference function code qualifier | M | | an..3 | See code list B.4.1153. Value = AWO |
| | 1154 | Reference identifier | C | | an..35 | Mandatory. |
| | 1156 | Document line identifier | C | | an..6 | Not applicable |
| | 4000 | Reference version number | C | | an..35 | Not applicable |
| | 3036 | Party name | C | | an..35 | Not applicable |

Example RFR+AWO:0087'

Level 3 - Group 8 - RLS - Relationship

Function To identify the direct relationship between the data/information contained in one segment and the data/information contained in one or more other segments.

Railway use This segment identifies the relationship between the party defined in the NME segment and the party referred to by the RFR segment

| Tag | Tag | Name | St | Rp | Frmt | Comments |
|------|------|-----------------------------------|----|----|--------|-------------------------------------|
| 9141 | | RELATIONSHIP TYPE CODE QUALIFIER | M | 1 | an..3 | See code list B.4.9141. Value = 13. |
| E941 | | RELATIONSHIP | C | 1 | | |
| | 9143 | Relationship description code | C | | an..3 | Mandatory. See code list B.4.9143. |
| | 1131 | Code list identification code | C | | an..3 | Not applicable |
| | 3055 | Code list responsible agency code | C | | an..3 | Not applicable. |
| | 9142 | Relationship description | C | | an..35 | Not applicable |

Example RLS+13+

Level 0 - UIT - Interactive message trailer

Function To end and check the completeness of a message.

| Tag | Tag | Name | St | Rp | Frmt | Comments |
|------|-----|--------------------------------------|----|----|--------|---|
| 0340 | | INTERACTIVE MESSAGE REFERENCE NUMBER | C | 1 | an..35 | Mandatory. The value shall be identical to the value in 0340 in the corresponding UIH segment |
| 0074 | | NUMBER OF SEGMENTS IN A MESSAGE | C | 1 | n..10 | Mandatory. Number of segments, including UIH and UIT |

Example UIT+1+8'