



INTEROPERABILITY UNIT

**TAP TSI: ANNEX B.4
IMPLEMENTATION GUIDE FOR EDIFACT MESSAGES COVERING TIMETABLE DATA EX-
CHANGE**

REFERENCE: ERA/TD/2009-07/INT	DOCUMENT TYPE: TECHNICAL DOCUMENT
VERSION: 1.2 FINAL	TAP TSI
DATE: 25.02.2015	

AMENDMENT RECORD

Version	Date	Section number	Modification/description
1.1	05.05.2011	All sections	First release
1.1.1	27.09.2011	SKDUPD, TSDUPD	<ul style="list-style-type: none">- Geographical coordinates for railway stations are mandatory- Border stations and significant stations for fare calculation must be indicated with their passing time
1.2	15.01.2013	TSDUPD	<ul style="list-style-type: none">- Link of stations with two location name codes

Introduction

The present document belongs to the set of Technical Documents described in Annex III 'List of Technical Documents referenced in this TSI' of the COMMISSION REGULATION (EU) No 454/2011.

Implementation guide for EDIFACT messages covering timetable data exchange

Application

With effect from 08 March 2012.

All actors of the European Union falling under the provisions of the TAP TSI.

Table of contents

1 Technical Document summary 7

1.1 Purpose of the Technical Document..... 7

1.2 Scenario 7

1.3 Description of a guide 7

2 Technical Document body..... 8

2.1 REFERENCES AND CONTACTS 8

2.1.1 References 8

2.2 SCENARIO 8

2.2.1 Bulk timetable data exchange..... 8

2.3 SERVICE SEGMENTS 8

2.3.1 General..... 8

2.3.2 Railway use of service segments 9

2.4 IMPLEMENTATION GUIDE BY MESSAGE 11

2.4.1 SKDUPD..... 11

2.4.2 TSDUPD..... 42

1 Technical Document summary

1.1 Purpose of the Technical Document

This Technical Document sets implementation guides for EDIFACT messages used for the exchange of timetable data by the railway community in the passenger sector.

1.2 Scenario

This part describes all scenarios in which the messages presented in this Technical Document may be used.

1.3 Description of a guide

A guide is established for one and only one message based on a version of EDIFACT directories. It contains the following parts:

- definition and functionality
- message structure: branching diagram and segments table
- segment specifications
- message examples
- updates according to EDIFACT directories

2 Technical Document body

2.1 REFERENCES AND CONTACTS

2.1.1 References

- REGULATION (EU) No 454/2011 "Technical specification for interoperability relating to the subsystem 'telematics applications for passenger services' of the trans-European rail system"
- UN/EDIFACT - ISO 9735 - Version 4 - Parts 1 and 3
- UN/TRADE/WP.4/R.1237 (17 July 1996)
UN/EDIFACT INTERACTIVE MESSAGE DESIGN GUIDELINES
- UN/EDIFACT Standard Directory D.04A
- –Reference Table "DIRECTORY OF PASSENGER CODE LISTS FOR THE ERA TECHNICAL DOCUMENTS USED IN TAP TSI". This document contains all the code lists referred to in this Technical Document.

2.2 SCENARIO

2.2.1 Bulk timetable data exchange

According to the Basic Parameter 4.2.1 of REGULATION (EU) No 454/2011 "Technical specification for interoperability relating to the subsystem 'telematics applications for passenger services' of the trans-European rail system", each RU subject to the Regulation shall make available all its timetables by guaranteeing access to all RUs or to third parties which are authorized to use and to all authorised public bodies. In order to fulfil this obligation each RU subject to the Regulation shall make available its timetables on one or more IT systems. The technical standards defining how to inform the authorised users that a new version of the timetables was made available, or how to ensure that only authorised users can download the data, shall be defined during the SEDP phase of the Regulation (Strategic European Deployment Plan). This technical Document only describes in which format the timetable data must be made available. In particular two messages are used (as defined by the UN/EDIFACT Board):

SKDUPD	This message is used within the Travel, Tourism and Leisure industry to make available or transmit transport timetable information.
TSDUPD	This message provides static data complementary to the travel timetable information conveyed by a SKDUPD (Schedule Update) message, such as information about locations related to the schedules.

2.3 SERVICE SEGMENTS

2.3.1 General

The service segments used in an I-EDI environment are:

- UIB - Interactive Interchange Header
- UIH - Interactive Message Header
- UIT - Interactive Message Trailer
- UIZ - Interactive Interchange Trailer

For Service Segment specifications, see ISO 9735-1.

For a description of an I-EDI transaction see ISO 9735-3.

Note: for compatibility reasons with the UN/EDIFACT messages, all elements of each segment are shown in the following, with the mention "Not applicable" if not to be used for the scope of this Technical Document.

2.3.2 Railway use of service segments

Legend for tables contained in this section:

Tag	= Composite or data element tag as applicable (first column for composite or stand-alone data elements, second column for component data elements)
Name	= Composite or data element name as applicable
St	= Status: C = conditional, M = mandatory
Rp	= Maximum number of repeats
Frmt	= Format
Comments	= Implementation comments. Possible indications are: <ul style="list-style-type: none"> • Mandatory: the composite or data element, while declared “conditional” is mandatory for railway use • Value = xxx (xxx being a value to be introduced for railway use of the message) • Values = xxx to yyy (one out the range of values from xxx through yyy is to be introduced for railway use of the message) • Not applicable (this data element or composite is not applicable for railway use of the message) • See code list (the value is to be chosen from the code list for the concerned data element in ERA Technical Document xxx) • See code list - Value(s) = xxx (to yyy) (the value is chosen from the code list for a given data element in ERA Technical Document xxx , but has to be one of the range given in the value clause (xxx to yyy))

Note: only the UIB and UIZ segments are described in this section. UIH and UIT are included in Section 4.

2.3.2.1 UIB - Interactive Interchange Header

Function To head and identify an interchange.

Tag	Tag	Name	St	Rp	Frmt	Comments
S001		SYNTAX IDENTIFIER	M	1		
	0001	Syntax identifier	M		a4	Value = UNOB
	0002	Syntax version number	M		an1	Value = 4
	0080	Service code list directory version number	C		an..6	Not applicable
	0133	Character encoding, coded	C		an..3	Not applicable
S302		DIALOGUE REFERENCE	M	1		
	0300	Initiator control reference	M		an..35	Sequence number allocated to the dialogue by the initiator
	0303	Initiator reference identification	C		an..35	Not applicable
	0051	Controlling agency, coded	C		an..3	Not applicable
	0304	Responder control reference	C		an..35	Not applicable
S303		TRANSACTION REFERENCE	C	1		
	0306	Transaction control reference	M		an..35	Not applicable
	0303	Initiator reference identification	C		an..35	Not applicable
	0051	Controlling agency, coded	C		an..3	Not applicable
S018		SCENARIO IDENTIFICATION	C	1		
	0127	Scenario identification	C		an..14	
	0128	Scenario version number	C		an..3	
	0130	Scenario release number	C		an..3	
	0051	Controlling agency, coded	C		an..3	
S305		DIALOGUE IDENTIFICATION	C	1		
	0311	Dialogue identification	M		an..14	Values = 1 to 3 (see “dialogue types”)
	0128	Dialogue version number	C		an..3	Version number of the dialogue type
	0130	Dialogue release number	C		an..3	Release number of the version
	0051	Controlling agency, coded	C		an..3	
S002		INTERCHANGE SENDER	C	1		
	0004	Interchange sender identification	M		an..35	See code list B.4.0004
	0007	Identification code qualifier	C		an..4	

European Railway Agency

ERA/TD/2009-07/INT: ANNEX B.4 of TAP TSI

Tag	Tag	Name	St	Rp	Frmt	Comments
	0008	Interchange sender internal identification	C		an..35	Not applicable
	0042	Interchange sender internal sub-identification	C		an..35	Not applicable
S003		INTERCHANGE RECIPIENT	C	1		
	0010	Interchange recipient identification	M		an..35	See code list B.4.0010
	0007	Identification code qualifier	C		an..4	
	0014	Interchange recipient internal identification	C		an..35	Not applicable
	0046	Interchange sender internal sub-identification	C		an..35	Not applicable
S300		DATE AND/OR TIME OF INITIATION	C	1		
	0338	Event date	C		n..8	Date of preparation of the interchange dispatch (format = CCYYMMDD)
	0314	Event time	C		an..15	Time of preparation of the interchange (format = HHMMSS)
	0336	Time offset	C		n4	Not applicable
0325		DUPLICATE INDICATOR	C	1	a1	Not applicable
0035		TEST INDICATOR	C	1	n1	Value = 1 for test and omitted for production data

Example `UIB+UNOB:4+DIALOG-0++TITAN:1:1:ER+2:1:1:ER+0080:X001+087:X001+19970414:0802'`

2.3.2.2 UIZ - Interactive Interchange trailer

Function To end and check the integrity of an interchange.

Tag	Tag	Name	St	Rp	Frmt	Comments
S302		DIALOGUE REFERENCE	C	1		
	0300	Initiator control reference	M		an..35	Sequence number allocated to the dialogue by the initiator. Shall be identical to UIB/S302/0300.
	0303	Initiator reference identification	C		an..35	Not applicable
	0051	Controlling agency, coded	C		an..3	Not applicable
	0304	Responder control reference	C		an..35	Not applicable
0036		INTERCHANGE CONTROL COUNT	C	1	n..6	Number of messages in the interchange
0325		DUPLICATE INDICATOR	C	1	a1	Not applicable

Example `UIZ+dialog-0+37'`

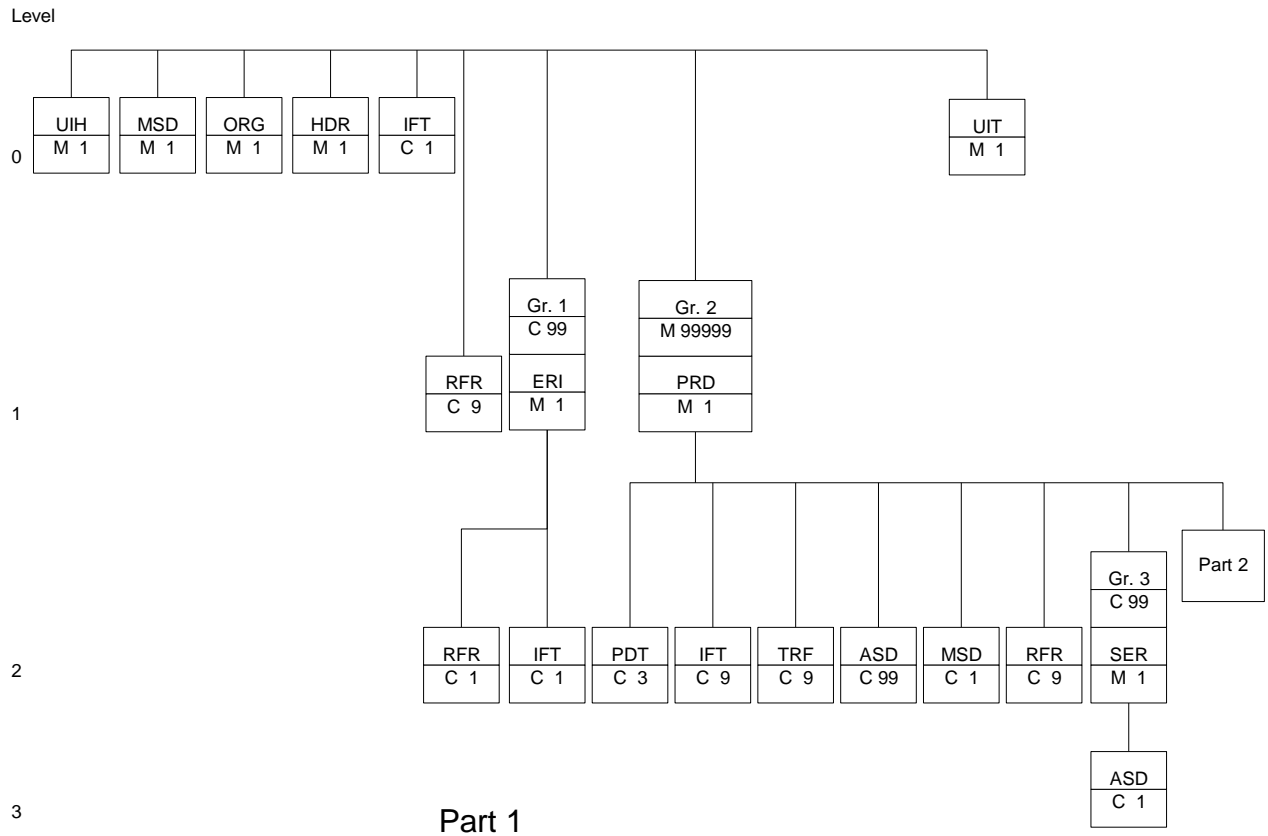
2.4 IMPLEMENTATION GUIDE BY MESSAGE

2.4.1 SKDUPD

2.4.1.1 Definition and functionality

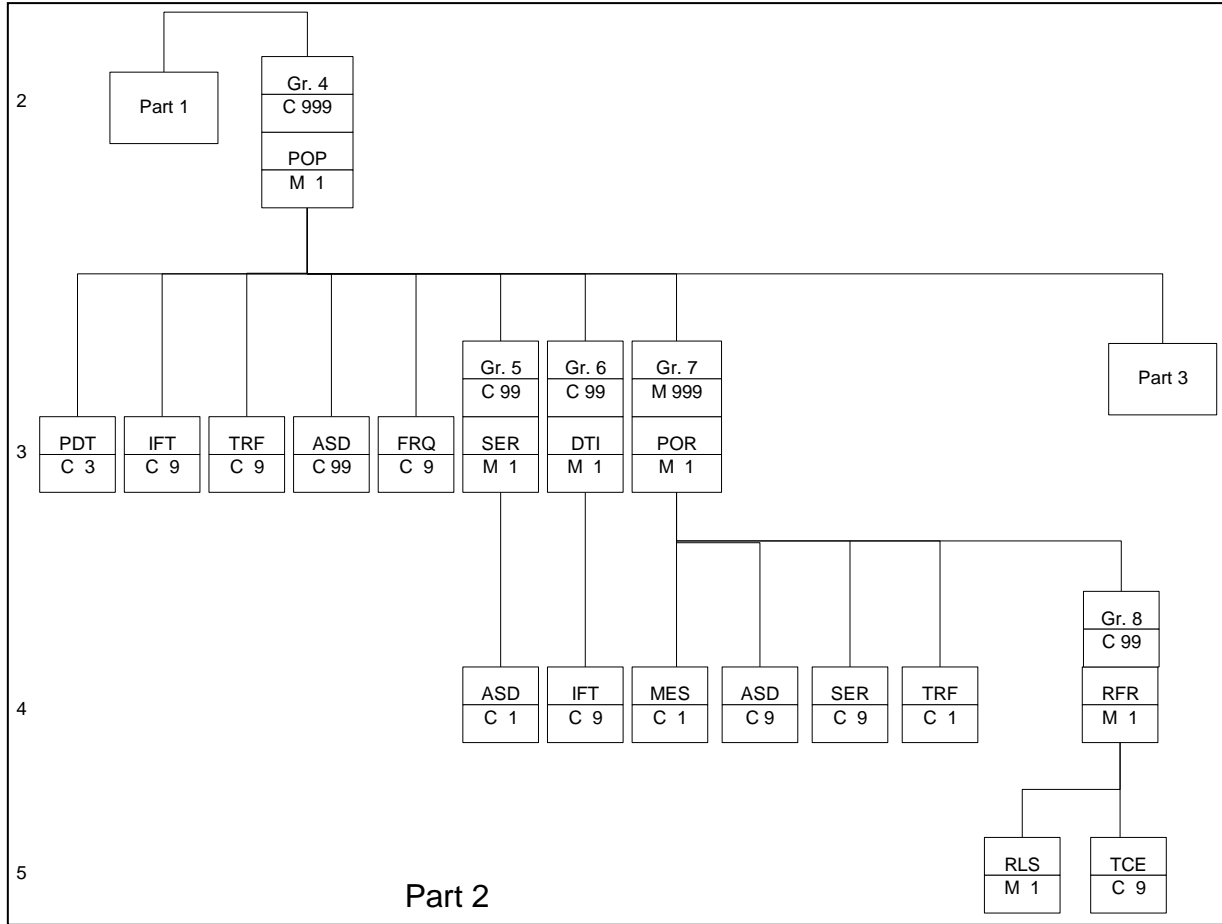
This message is used within the Travel, Tourism and Leisure industry to transmit transport bulk timetable information, or to request its re-transmission.

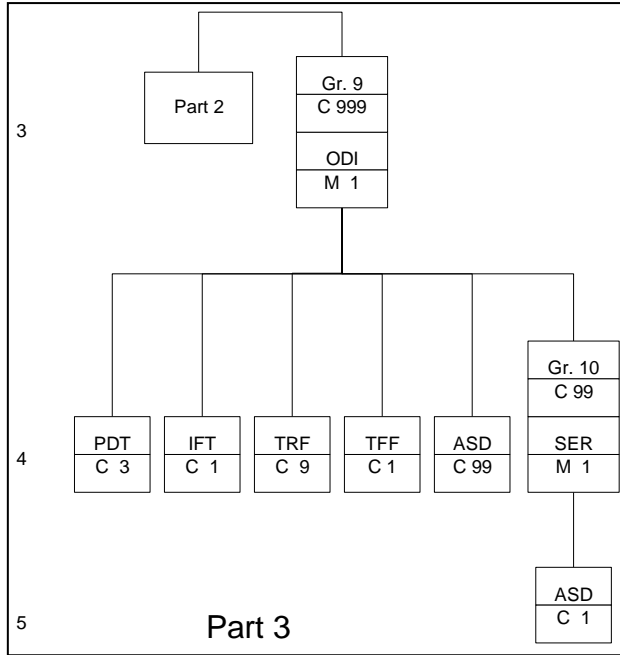
2.4.1.2 Branching Diagram



European Railway Agency

ERA/TD/2009-07/INT: ANNEX B.4 of TAP TSI





2.4.1.3 Segment table

Pos	Tag Name	S	R
0010	UIH Interactive message header	M	1
0020	MSD Message action details	M	1
0030	ORG Originator of request details	M	1
0040	HDR Header information	M	1
0050	IFT Interactive free text	C	1
0060	RFR Reference	C	9
0070	----- Segment group 1 -----	C	99-----+
0080	ERI Application error information	M	1
0090	RFR Reference	C	1
0100	IFT Interactive free text	C	1-----+
0110	----- Segment group 2 -----	M	99999-----+
0120	PRD Product identification	M	1
0130	PDT Product information	C	3
0140	IFT Interactive free text	C	9
0150	TRF Traffic restriction details	C	9
0160	ASD Service details	C	99
0170	MSD Message action details	C	1
0175	RFR Reference	C	9
0180	----- Segment group 3 -----	C	99-----+
0190	SER Facility information	M	1
0200	ASD Service details	C	1-----+
0210	----- Segment group 4 -----	C	999-----+
0220	POP Period of operation	M	1

European Railway Agency

ERA/TD/2009-07/INT: ANNEX B.4 of TAP TSI

0230	PDT Product information	C	3	
0240	IFT Interactive free text	C	1	
0250	TRF Traffic restriction details	C	9	
0260	ASD Service details	C	99	
0270	FRQ Frequency	C	9	
0280	----- Segment group 5 -----	C	99-----+	
0290	SER Facility information	M	1	
0300	ASD Service details	C	1-----+	
0310	----- Segment group 6 -----	C	99-----+	
0320	DTI Date and time information	M	1	
0330	IFT Interactive free text	C	9-----+	
0340	----- Segment group 7 -----	C	999-----+	
0350	POR Location and/or related time information	M	1	
0360	MES Measurements	C	1	
0370	ASD Service details	C	9	
0380	SER Facility information	C	9	
0390	TRF Traffic restriction details	C	1	
0400	----- Segment group 8 -----	C	99-----+	
0410	RFR Reference	M	1	
0420	RLS Relationship	C	1	
0430	TCE Time and certainty	C	9-----+	
0440	----- Segment group 9 -----	C	999-----+	
0450	ODI Origin and destination details	M	1	
0460	PDT Product information	C	3	
0470	IFT Interactive free text	C	1	
0480	TRF Traffic restriction details	C	9	
0490	TFF Tariff information	C	1	
0500	ASD Service details	C	99	
0510	----- Segment group 10 -----	C	99-----+	
0520	SER Facility information	M	1	
0530	ASD Service details	C	1-----+	
0540	UIT Interactive message trailer	M	1	

2.4.1.4 Segment specification

Level 0 - UIH - Interactive message header

Function To head, identify and specify a message.

Tag	Tag	Name	St	Rp	Frmt	Comments
S306		INTERACTIVE MESSAGE IDENTIFIER	M	1		
	0065	Message type	M		an..6	Value = SKDUPD
	0052	Message version number	M		an..3	Version number of the message type (Value = D)
	0054	Message release number	M		an..3	Release number of the message type (Value = 04A)
	0113	Message type sub-function identification	C		an..6	Not applicable
	0051	Controlling agency, coded	C		an..3	Value = UN
	0057	Association assigned code	C		an..6	Not applicable
0340		INTERACTIVE MESSAGE REFERENCE NUMBER	C	1	an..35	Mandatory. Sequence number allocated by the sender. It identifies in a unique way the message within the interchange
S302		DIALOGUE REFERENCE	C	1		Mandatory. The value(s) in S302 shall be identical to the value(s) in the S302 in the preceding UIB
	0300	Initiator control reference	M		an..35	Value shall be identical to UIB/S302/0300
	0303	Initiator reference identification	C		an..35	Not applicable
	0051	Controlling agency, coded	C		an..3	Not applicable
	0304	Responder control reference	C		an..35	Not applicable
S301		STATUS OF TRANSFER - INTERACTIVE	C	1		
	0320	Sender sequence number	C		n..6	Not applicable
	0323	Transfer position, coded	C		a1	Not applicable
	0325	Duplicate indicator	C		a1	Not applicable
S300		DATE AND/FOR TIME OF INITIATION	C	1		
	0338	Event date	C		n..8	Not applicable
	0314	Event time	C		an..15	Not applicable
	0336	Time offset	C		n4	Not applicable
0035		TEST INDICATOR	C	1	n1	Not applicable

Example UIH+SKDUPD:D:04A::UN+3040+dialog-0'.

Level 0 - MSD - Message action details

Function To specify the message processing requirements.

Railway use To convey delivery information (characteristic).

No more than one delivery characteristic, defined by business function (4025) and message function (1225), shall occur in a single dialogue delimited by UIB and UIZ.

Tag	Tag	Name	St	Rp	Frmt	Comments
E972		MESSAGE PROCESSING DETAILS	C	1		
	4025	Business function code	C		an..3	Delivery characteristic (partial) Value = AAR (Rail related business). See code list B.4.4025.
	1225	Message function code	C		an..3	Delivery characteristic (partial) See code list B.4.1225 - Values = 61 or 62 (default = 61)
	3055	Code list responsible agency code	C		an..3	Not applicable
	1225	Message function code	C		an..3	Not applicable
	1225	Message function code	C		an..3	Not applicable
	1225	Message function code	C		an..3	Not applicable
	1225	Message function code	C		an..3	Not applicable
	1225	Message function code	C		an..3	Not applicable
	1225	Message function code	C		an..3	Not applicable
	1225	Message function code	C		an..3	Not applicable
	1225	Message function code	C		an..3	Not applicable
	1225	Message function code	C		an..3	Not applicable
4343		RESPONSE TYPE CODE	C	5	an..3	Not applicable
E206		OBJECT IDENTIFICATION	C	5		
	7402	Object identifier	M		an..35	Not applicable
	7405	Object identification code qualifier	C		an..3	Not applicable
	4405	Status description code	C		an..3	Not applicable

Example MSD+AAR: 61 '

Level 0 - ORG - Originator of request details

Function To indicate the originator of request details.

Railway use To convey delivery information (data provider, service provider).

Tag	Tag	Name	St	Rp	Frmt	Comments
E973		DELIVERING SYSTEM DETAILS	C	1		Mandatory
	3036	Party name	C		an..35	Mandatory. Provider of the message, i.e. the company that sends the message. Use the code list B.4.3039
	3225	Location name code	C		an..25	Not applicable
	3224	Location name	C		an..70	Not applicable
E974		ORIGINATOR IDENTIFICATION DETAILS	C	1		
	3197	Agent identifier	C		an..9	Not applicable
	3465	In-house identifier	C		an..9	Not applicable
	3197	Agent identifier	C		an..9	Not applicable
	3036	Party name	C		an..35	Not applicable
E975		LOCATION	C	1		
	3225	Location name code	C		an..25	Not applicable
	3224	Location name	C		an..70	Not applicable
	3207	Country name code	C		an..3	Not applicable
	3227	Location function code qualifier	C		an..3	Not applicable
3036		PARTY NAME	C	1	an..35	Mandatory. Provider of the timetable data, i.e. the company that creates the data. Use the code list B.4.3039.
3457		ORIGINATOR TYPE CODE	C	1	an..3	Not applicable
E976		ORIGINATOR DETAILS	C	1		
	3207	Country name code	C		an..3	Not applicable
	6345	Currency identification code	C		an..3	Not applicable
	3453	Language name code	C		an..3	Not applicable
3503		ACCESS AUTHORISATION IDENTIFIER	C	1	an..9	Not applicable

Example ORG+0080+++0080'

Level 0 - HDR - Header information

Function To specify header information applicable to the entire message.

Railway use This segment is used to convey delivery information (status, reference, dates and time, etc.).

Tag	Tag	Name	St	Rp	Frmt	Comments
4405		STATUS DESCRIPTION CODE	M	1	an..3	Delivery status. See code list B.4.4405 Values = 81, 21 or 113
E013		DATE AND TIME INFORMATION	M	4		The 4 occurrences of this composite may be used to specify the delivery's: <ul style="list-style-type: none"> • First and last date of validity • Date and time • Creation date • Delivery release date The qualifier (2005) specifies which of these functions the data element 2380 has.

European Railway Agency

ERA/TD/2009-07/INT: ANNEX B.4 of TAP TSI

Tag	Tag	Name	St	Rp	Frmt	Comments
	2005	Date or time or period function code qualifier	M		an..3	See code list B.4.2005. Values = 11 = delivery date and time 45 = creation date and time 273 = first and last date of validity x = delivery release date
	2380	Date or time or period text	M		an..35	The following formats are to be used: <ul style="list-style-type: none"> delivery date/time and creation date/time: yyyy-mm-ddThhmm first and last date of validity: yyyy-mm-dd/yyyy-mm-dd
	2379	Date or time or period format code	C		an..3	Not applicable
	4440	Free text value	C		an..512	Not applicable
1154		REFERENCE IDENTIFIER	C	1	an..35	Delivery reference number. Mandatory if the message contains an update to a previous delivery or if it contains a complete delivery that may be the subject of subsequent update messages. Absent in all other cases.
4440		FREE TEXT VALUE	C	1	an..512	Delivery free format reference
7135		PRODUCT IDENTIFIER	C	2	an..35	Not applicable
3453		LANGUAGE NAME CODE	C	1	an..3	See code list ISO 639-1

Example HDR+81+273:1996-09-29/1997-05-31*11:1996-07-20T1422*45:1996-07-20T1422+0003'

Level 0 - IFT - Interactive free text

<i>Function</i>	To provide free form information.
<i>Railway use</i>	Not applicable.

Level 1 - RFR - Reference

Function To specify a reference.

Railway use An occurrence of the RFR segment must be present if the message contains an update to a previous delivery. It shall refer to that previous delivery's reference. As such, it enables the recipient to check the chain of updates and to identify the delivery for which this message is an update. In all other cases the segment must be absent.

Tag	Tag	Name	St	Rp	Frmt	Comments
E506		REFERENCE	M	1		
	1153	Reference function code qualifier	M		an..3	See code list B.4.1153. Value = AGX
	1154	Reference identifier	C		an..35	Mandatory. Reference of the previous delivery.
	1156	Document line identifier	C		an..6	Not applicable
	4000	Reference version number	C		an..35	Not applicable
	3036	Party name	C		an..35	Not applicable

Example RFR+AGX:0002'

Level 1 - Group 1 - ERI - Application error information

Function To identify the type of application error within a message.

Railway use

- Not applicable.

Level 2 - Group 1 - IFT - Interactive free text

Function To provide free-form information.

European Railway Agency

ERA/TD/2009-07/INT: ANNEX B.4 of TAP TSI

Railway use This segment may be used to give a textual description of the error. Its use needs to be discussed.

Tag	Tag	Name	St	Rp	Frmt	Comments
E971		FREE TEXT QUALIFICATION	C	1		
	4451	Text subject code qualifier	M		an..3	See code list B.4.4451. Value = AAO
	4473	Information type code	C		an..4	Not applicable
	4405	Status description code	C		an..3	Not applicable
	3036	Party name	C		an..35	Not applicable
	3453	Language name code	C		an..3	See code list ISO 639-1
4440		FREE TEXT VALUE	C	99	an..512	Mandatory. Textual description of the error. Only one occurrence of the data element is used.

Example IFT+AAO::::EN+DEPARTURE TIME MISSING'

Level 1 - Group 2 - PRD - Product identification

Function To identify a product.

- Railway use*
- This segment triggers Group 2, which specifies information about the timetable of a given transport service (train service, bus service, etc.).
 - This segment identifies the transport service. The service is identified by concatenation of the party name (Service Provider) and product identification (Service number) elements. In a railway context, the transport service may be:
 - a conventional train or
 - a coach group, in which case the associated train service must be identified in the RFR segment of Group 8.

Tag	Tag	Name	St	Rp	Frmt	Comments
E989		PRODUCT IDENTIFICATION DETAILS	C	9		Mandatory. One and only one occurrence of this composite is used.
	7135	Product identifier	C		an..35	Service number (e.g., train number). Defines, together with the service provider (E988/3036(1)), the service identification. See code list B.4.7135.
	7037	Characteristic description code	C		an..17	Service characteristic: here the status of reservations for the service, irrespective of the period of operation. See code list B.4.7037. Values = 11, 12, 13, 14, 15, 16, 17, 18, 19, 20, 21, 22, 23 The reservation status described in this segment must be applicable to <u>all the periods of operation</u> and to the <u>whole of the itineraries</u> . Period dependent reservation statuses must be described in group 4 (POP), while travel segment dependent reservation statuses must be described in Group 9 (ODI).
	7139	Product characteristic identification code	C		an..3	Pricing category. See code list B.4.7139. The tariff mode described in this segment must be applicable to <u>all the periods of operation</u> and to the <u>whole of the itineraries</u> . Period dependent tariff modes must be described in Group 4 (POP), while travel segment dependent tariff modes must be described in Group 9 (ODI).

European Railway Agency

ERA/TD/2009-07/INT: ANNEX B.4 of TAP TSI

Tag	Tag	Name	St	Rp	Frmt	Comments
	7009	Item description code	C		an..17	Service mode.8, 9, 10, 11, 12, 13, 14, 15, and 16. Default = train (37). Mandatory if service mode is not train. Values =3, 31, 32, 33, 34, 35, 36. See code list B.4.7009
	7009	Item description code	C		an..17	Not applicable
	7009	Item description code	C		an..17	Not applicable
	9608	Product name	C		an..35	Service name.
3036		PARTY NAME	C	6	an..35	The first occurrence is mandatory. Occurrences are used as follows: <ol style="list-style-type: none"> 1. Service provider. Use the code list B.4.3039. 2. Information provider (= party responsible for setting up the schedules, may be distinct from the service provider). Only present when different from the data provider in ORG. Use the code list B.4.3039 3. Reservation company. Use code list B.4.3039.

Example PRD+39:11:::::Alexander von Humboldt+0080*0088'

Level 2 - Group 2 - PDT - Product information

Function To specify details related to a product such as configuration and availability.

Railway use This segment may be used to specify the service brand (e.g. ICE train, Talgo) when it remains constant, whatever the period of operation.

No more than one occurrence may be used. The segment is not used in case the service mode (7009/1) in PRD is coach group (value = 31).

Tag	Tag	Name	St	Rp	Frmt	Comments
7133		PRODUCT DETAILS TYPE CODE QUALIFIER	C	1	an..3	Not applicable
E996		PRODUCT CLASS DETAILS	C	26		Mandatory. One and only one occurrence of this composite is used.
	7037	Characteristic description code	C		an..17	Not applicable
	4510	Requested information description	C		an..35	Not applicable
	7161	Special service description code	C		an..3	Not applicable
	7009	Item description code	C		an..17	Mandatory. Service brand. See code list B.4.7009 Values corresponding to a service mode (3 to 37) are not allowed.
	7009	Item description code	C		an..17	Not applicable
	7009	Item description code	C		an..17	Not applicable
	7139	Product description identification code	C		an..3	Not applicable

Example PDT++:::62'

Level 2 - Group 2 - IFT - Interactive free text

Function To provide free-form information.

Railway use This segment may be used to give a free-text description of:

- The service characteristic;
- The service.

Tag	Tag	Name	St	Rp	Frmt	Comments
E971		FREE TEXT QUALIFICATION	C	1		
	4451	Text subject code qualifier	M		an..3	See code list B.4.4451. Value = PRD or AU Y

European Railway Agency

ERA/TD/2009-07/INT: ANNEX B.4 of TAP TSI

Tag	Tag	Name	St	Rp	Frmt	Comments
	4473	Information type code	C		an..4	Not applicable
	4405	Status description code	C		an..3	Not applicable
	3036	Party name	C		an..35	Not applicable
	3453	Language name code	C		an..3	See code list ISO 639-1
4440		FREE TEXT VALUE	C	99	an..512	Mandatory. Free-text description of the service characteristic or product name. Only one occurrence of the data element is used.

Example IFT+PRD::::EN+HOLIDAY EXPRESS'
 IFT+AUY::::EN+RESERVATION COMPULSORY'

Level 2 - Group 2 - TRF - Traffic restriction details

<i>Function</i>	To convey certain restrictions that apply to a travel-related object.
<i>Railway use</i>	Not applicable

Level 2 - Group 2 - ASD - Service details

Function To specify the time, date, location and additional characteristic information related to a service.

Railway use This segment may be used to specify any extra service available with the travel service. If the extra is only available for part of the period or on specific days of the week, this must be specified through DATE/TIME/PERIOD and DAYS OF WEEK SET IDENTIFIER. Note that the extra service described in this segment must be applicable to all the periods and to the whole of the itinerary. Period dependent services must be described in Group 4 (POP), while location dependent services must be described either in Group 6 (POR) or in Group 9 (ODI).

It is recommended to specify the extra services of the travel service in the segment ASD of segment group 4 rather than in this segment.

The ASD segment can describe only one service. Repeat the segment as required (up to 99 times).

Tag	Tag	Name	St	Rp	Frmt	Comments
E959		SERVICE DETAILS	M	99		One occurrence only.
	7161	Special service, coded	M		an..3	Identification of the extra service. See code list B.4.7161.
	2002	Time value	C		n4	Extra service first time or additional first time (format = hhmm).
	2002	Time value	C		n4	Extra service last time or additional last time (format = hhmm).
	2000	Date value	C		an..14	Not applicable
	3224	Location name	C		an..70	Not applicable
	3225	Location name code	C		an..25	Not applicable
	3227	Location function code qualifier	C		an..3	Not applicable
	7037	Characteristic description code	C		an..17	Reservation information concerning the extra service. See code list B.4.7037. Values = 11, 12, 13, 14, 15, 16, 17, 18, 19, 20, 21, 22, 23
	3223	First related location name code	C		an..25	Not applicable
	3207	Country name code	C		an..3	Not applicable
	7160	Special service	C		an..35	Not applicable
	7036	Characteristic description	C		an..35	Not applicable
	1229	Action request/notification description code	C		an..3	Not applicable
	3233	Second related location name code	C		an..25	Not applicable
	3453	Language name code	C		an..3	Not applicable
	6072	Frequency value	C		n..9	Frequency interval of the extra service.

European Railway Agency

ERA/TD/2009-07/INT: ANNEX B.4 of TAP TSI

Tag	Tag	Name	St	Rp	Frmt	Comments
	6411	Measurement unit code	C		an..3	Measure unit in which the frequency value is expressed. See code list B.4.6411. Values = MIN, HUR.
	6060	Quantity	C		an..35	
	3036	Party name	C		an..35	
E013		DATE AND TIME INFORMATION	C	99		One occurrence only. Definition of the availability period of the extra service. If omitted: always available during the operation period of the travel service. The availability period must fit within the period of operation of the travel service defined in segment POP.
	2005	Date or time or period function code qualifier	M		an..3	See code list B.4.2005. Value = 273
	2380	Date or time or period text	M		an..35	Period of availability (format = yyyy-mm-dd/yyyy-mm-dd)
	2379	Date or time or period format code	C		an..3	Not applicable
	4440	Free text value	C		an..512	May be used to specify the availability days, one day by character ("0" = not available, "1" = available), starting from the first day specified in the period of availability (2380).
2160		DAYS OF WEEK SET IDENTIFIER	C	1	an..7	String data representation of local day(s) of the week (Monday = 1, Tuesday = 2, etc.). Not used if E013/4440 is used to specify the operation days

Examples

ASD+26++67'

= A snack is served on Saturdays and Sundays.

ASD+26+273:2000-09-21/2000-09-30::1101101111'

A snack is served from 21 to 30 September 2000, but not on 23 and 26 September

Level 2 - Group 2 - MSD - Message action details

Function

To specify the message processing requirements.

Railway use

This segment enables to specify that a service is to be deleted from the schedule database. Its use is only allowed for schedule updates (E972/1225-1 in MSD at level 0 = 62). A deletion includes *all* the data in the database bearing the service identifier (service provider + train number) specified in the PRD segment.

If, in case of schedule update, this segment is not used, the service in the database is completely replaced by the corresponding data under the PRD segment.

Tag	Tag	Name	St	Rp	Frmt	Comments
E972		MESSAGE PROCESSING DETAILS	C	1		Mandatory
	4025	Business function code	C		an..3	Mandatory. Value = AAR (Rail related business). See code list B.4.4025
	1225	Message function code	C		an..3	See code list B.4.1225.Mandatory. Deletion mark. Value = 56
	3055	Code list responsible agency code	C		an..3	Not applicable
	1225	Message function code	C		an..3	Not applicable
	1225	Message function code	C		an..3	Not applicable
	1225	Message function code	C		an..3	Not applicable
	1225	Message function code	C		an..3	Not applicable
	1225	Message function code	C		an..3	Not applicable
	1225	Message function code	C		an..3	Not applicable
	1225	Message function code	C		an..3	Not applicable
	1225	Message function code	C		an..3	Not applicable
	1225	Message function code	C		an..3	Not applicable
	1225	Message function code	C		an..3	Not applicable

European Railway Agency

ERA/TD/2009-07/INT: ANNEX B.4 of TAP TSI

Tag	Tag	Name	St	Rp	Frmt	Comments
4343		RESPONSE TYPE CODE	C	5	an..3	Not applicable
E206		OBJECT IDENTIFICATION	C	5		
	7402	Object identifier	M		an..35	Not applicable
	7405	Object identification code qualifier	C		an..3	Not applicable
	4405	Status description code	C		an..3	Not applicable

Example

MSD+AAR:56'

The service defined in the PRD segment has to be deleted from the database.

Level 2 - Group 2 - RFR - Reference

Function

To specify a reference.

Railway use

This segment is used to specify a travel service number which is published to the customer if it is different to PRD/E989/7135

If the reference identifier (1154) is empty, the travel service is published to the customer without a number

Tag	Tag	Name	St	Rp	Frmt	Comments
E506		REFERENCE	M	1		
	1153	Reference function code qualifier	M		an..3	See code list B.4.1153.Value = AVI
	1154	Reference identifier	C		an..35	Number of the travel service.
	1156	Document line identifier	C		an..6	Not applicable
	4000	Reference version number	C		an..35	Not applicable
	3036	Party name	C		an..35	Not applicable

Example

RFR+X02:28'

= Regardless of the identification given in PRD/E989/7135 the specified travel service is published with the number 28 to the customer.

Level 2 - Group 3 - SER - Facility information

Function To provide additional service information, followed by the period and days of operation.

Railway use This segment triggers Group 3, which specifies information about facilities available with the given transport service. This information can be repeated. The segment allows the definition of a sub-period, or specific days of the weeks for which the facility is available.
 Each SER segment specifies one and only one facility.. Repeat as required(up to 99 times).
 It is recommended to specify the facilities of the travel service in the segment SER of segment group 5 rather than in this segment.

Tag	Tag	Name	St	Rp	Frmt	Comments
E965		FACILITIES	M	99		One and only one occurrence of this composite is used.
	9039	Facility type description code	C		an..3	Mandatory. See code list B.4.9039.
	9038	Facility type description	C		an..70	Not applicable
	7133	Product details type code qualifier	C		an..3	Not applicable
	7037	Characteristic description code	C		an..17	Reservation information concerning the facility. This information can be repeated. See code list B.4.7037.. Values = 11, 12, 13, 14, 15, 16, 17, 18, 19, 20, 21, 22, 23, 25, 26, 27, 28.
1229		ACTION REQUEST/NOTIFICATION DESCRIPTION CODE	C		an..3	Not applicable.
6350		UNITS QUANTITY	C		n..15	Number of facilities available in the service.
E013		DATE AND TIME INFORMATION	C	99		One occurrence only. Definition of the availability period of the facility. If omitted : always available during the operation period of the travel service. The availability period must fit within the period of operation of the travel service defined in segment POP.
	2005	Date or time or period function code qualifier	M		an..3	See code list B.4.2005.. Value = 273.
	2380	Date or time or period text	M		an..35	Period of availability. Format = yyyy-mm-dd/yyyy-mm-dd
	2379	Date or time or period format code	C		an..3	Not applicable
	4440	Free text value	C		an..512	May be used to specify the availability days, one day by character ("0" = not available, "1" = available), starting from the first day specified in the period of availability (2380).
2160		DAYS OF WEEK SET IDENTIFIER	C	1	an..7	String data representation of local day(s) of the week (Monday = 1, Tuesday = 2, etc.). Not used if E013/4440 is used to specify the operation days

Example SER+33:::2:13+273:1997-06-01/1997-09-30'
 = From 1 June 1997 until 30 September 1997, the service includes 2 video coaches (33) wherein reservation is compulsory (13).

Level 3 - Group 3 - ASD - Service details

Function To specify the time, date, location and additional characteristic information related to a service.
Railway use This segment may be used to specify any extra service available within a given facility.
 The ASD segment can describe only one service and cannot be repeated.

Tag	Tag	Name	St	Rp	Frmt	Comments
E959		SERVICE DETAILS	M	99		One occurrence only.
	7161	Special service, coded	M		an..3	Identification of the extra service. See code list B.4.7161.
	2002	Time value	C		n4	Extra service first time or additional first time (format = hhmm).
	2002	Time value	C		n4	Extra service last time or additional last time (format = hhmm).
	2000	Date value	C		an..14	Not applicable
	3224	Location name	C		an..70	Not applicable
	3225	Location name code	C		an..25	Not applicable
	3227	Location function code qualifier	C		an..3	Not applicable
	7037	Characteristic description code	C		an..17	Reservation information concerning the extra service. See code list B.4.7037. Values = 11, 12, 13, 14, 15, 16, 17, 18, 19, 20, 21, 22, 23
	3223	First related location name code	C		an..25	Not applicable
	3207	Country name code	C		an..3	Not applicable
	7160	Special service description	C		an..35	Not applicable
	7036	Characteristic description	C		an..35	Not applicable
	1229	Action request/notification description code	C		an..3	Not applicable
	3233	Second related location name code	C		an..25	Not applicable
	3453	Language name code	C		an..3	Not applicable
	6072	Frequency value	C		n..9	Frequency interval of the extra service.
	6411	Measurement unit code	C		an..3	Measure unit in which the frequency value is expressed. See code list B.4.6411. Values = MIN, HUR.
	6060	Quantity	C		an..35	
	3036	Party name	C		an..35	
E013		DATE AND TIME INFORMATION	C	99		One occurrence only. Definition of the availability period of the extra service. If omitted: always available during the availability period of the facility The availability period must fit within the period of availability of the facility defined in segment SER
	2005	Date or time or period function code qualifier	M		an..3	See code list B.4.2005. Value = 273
	2380	Date or time or period text	M		an..35	Period of availability. Format = yyyy-mm-dd/yyyy-mm-dd
	2379	Date or time or period format code	C		an..3	Not applicable
	4440	Free text value	C		an..512	May be used to specify the availability days, one day by character ("0" = not available, "1" = available), starting from the first day specified in the period of availability (2380).
2160		DAYS OF WEEK SET IDENTIFIER	C	1	an..7	String data representation of local day(s) of the week (Monday = 1, Tuesday = 2, etc.). Not used if E013/4440 is used to specify the operation days

Example ASD+26++67'
= On Saturday and Sunday, snacks are available in the given facility.

Level 2 - Group 4 - POP - Period of operation

Function To specify the date or time period with days of operation.

Railway use

- This segment is the trigger of Group 4, that specifies information about the timetable of a given transport service (train service, bus service, etc.) for a given period of operation.
- This segment specifies a period of operation (first and last date, days in the week).
- The segment and the underlying groups are omitted in case of deletion of the service (Group 2/MSD/1225-1 = 56).

Tag	Tag	Name	St	Rp	Frmt	Comments
E013		DATE AND TIME INFORMATION	M	1		
	2005	Date or time or period function code qualifier	M		an..3	See code list B.4.2005. Value = 273
	2380	Date or time or period text	M		an..35	First and last date of the period of operation. Format = yyyy-mm-dd/yyyy-mm-dd
	2379	Date or time or period format code	C		an..3	Not applicable
	4440	Free text value	C		an..512	May be used to specify the operation days, one day by character ("0" = not operational, "1" = operational), starting from the first day specified in the period of operation (2380).
2160		DAYS OF WEEK SET IDENTIFIER	C	1	an..7	String data representation of local day(s) of the week (Monday = 1, Tuesday = 2, etc.). Not used if E013/4440 is used to specify the operation days
4405		STATUS DESCRIPTION CODE	C	1	an..3	Not applicable

Example POP+273:1997-09-29/1998-05-31+1234567'
= The service is operational from 29 September 1997 to 31 May 1998 and runs every day.
POP+273:2000-08-01/2000-08-13::1001111000001'
= the service is operational on 1, 4, 5, 6, 7 and 13 August 2000

Level 3 - Group 4 - PDT - Product information

Function To specify details related to a product such as configuration and availability.

Railway use This segment may be used to specify a service brand (e.g. Inter-regional train) applicable only for the duration of the Period of Operation. If present, it overrides, for the duration of the defined period, the service brand specified in Group 2.

No more than one occurrence may be used. The segment is not used in case the service mode (7009/1) in PRD is coach group (value = 31).

Tag	Tag	Name	St	Rp	Frmt	Comments
7133		PRODUCT DETAILS TYPE CODE QUALIFIER	C	1	an..3	Not applicable
E996		PRODUCT CLASS DETAILS	C	26		Mandatory. One and only one occurrence of this composite is used.
	7037	Characteristic description code	C		an..17	Reservation status. See code list B.4.7037. Valid on the whole itinerary. Travel segment dependant characteristic description codes must be described in Group 9.
	4510	Requested information description	C		an..35	Not applicable
	7161	Special service description code	C		an..3	Not applicable
	7009	Item description code	C		an..17	Mandatory. Service brand. See code list B.4.7009. Values corresponding to a service mode (3 to 37) are not allowed.

European Railway Agency

ERA/TD/2009-07/INT: ANNEX B.4 of TAP TSI

Tag	Tag	Name	St	Rp	Frmt	Comments
	7009	Item description code	C		an..17	Not applicable
	7009	Item description code	C		an..17	Not applicable
	7139	Product description identification code	C		an..3	Tariff mode. Valid on the whole itinerary. Travel segment dependent tariff modes must be described in Group 9. See code list B.4.7139.

Example PDT++:::67'

Level 3 - Group 4 - IFT - Interactive free text

Function To provide free-form information.

Railway use This segment may be used to convey any special notes related to the period of operation (= period text).

Tag	Tag	Name	St	Rp	Frmt	Comments
E971		FREE TEXT QUALIFICATION	C	1		
	4451	Text subject code qualifier	M		an..3	See code list B.4.4451. Value = ADU
	4473	Information type code	C		an..4	Not applicable
	4405	Status description code	C		an..3	Not applicable
	3036	Party name	C		an..35	Not applicable
	3453	Language name code	C		an..3	See code list ISO 639-1
4440		FREE TEXT VALUE	C	99	an..512	Mandatory. Special notes in free text. Only one occurrence of the data element is used.

Example IFT+ADU:::EN+SCHOOL HOLIDAY PERIOD'

Level 3 - Group 4 - TRF - Traffic restriction details

Function To convey certain restrictions that apply to a travel-related object.

Railway use Not applicable

Level 3 - Group 4 - ASD - Service details

Function To specify the time, date, location and additional characteristic information related to a service.

Railway use This segment may be used to specify any extra service available with the travel service during the given period of operation. If the extra is only available for part of the period or on specific days of the week, this must be specified through DATE/TIME/PERIOD and DAYS OF WEEK SET IDENTIFIER. Note that the extra service described in this segment must be applicable to the whole of the itinerary. Location-dependent services must be described either in Group 6 (POR) or in Group 9 (ODI).

The ASD segment can describe only one service. Repeat the segment as required (up to 99 times).

Tag	Tag	Name	St	Rp	Frmt	Comments
E959		SERVICE DETAILS	M	99		One occurrence only.
	7161	Special service, coded	M		an..3	Identification of the extra service. See code list B.4.7161.
	2002	Time value	C		n4	Extra service first time or additional first time (format = hhmm).
	2002	Time value	C		n4	Extra service last time or additional last time (format = hhmm).
	2000	Date value	C		an..14	Not applicable
	3224	Location name	C		an..70	Not applicable
	3225	Location name code	C		an..25	Not applicable
	3227	Location function code qualifier	C		an..3	Not applicable

European Railway Agency

ERA/TD/2009-07/INT: ANNEX B.4 of TAP TSI

Tag	Tag	Name	St	Rp	Frmt	Comments
	7037	Characteristic description code	C		an..17	Reservation information concerning the extra service. See code list B.4.7037. Values = 11, 12, 13, 14, 15, 16, 17, 18, 19, 20, 21, 22, 23
	3223	First related location name code	C		an..25	Not applicable
	3207	Country name code	C		an..3	Not applicable
	7160	Special service	C		an..35	Not applicable
	7036	Characteristic description	C		an..35	Not applicable
	1229	Action request/notification description code	C		an..3	Not applicable
	3233	Second related location name code	C		an..25	Not applicable
	3453	Language name code	C		an..3	Not applicable
	6072	Frequency value	C		n..9	Frequency interval of the extra service.
	6411	Measurement unit code	C		an..3	Measure unit in which the frequency value is expressed. See code list B.4.6411. Values = MIN, HUR.
	6060	Quantity	C		an..35	
	3036	Party name	C		an..35	
E013		DATE AND TIME INFORMATION	C	99		One occurrence only. Definition of the availability period of the extra service. If omitted: always available during the operation period of the travel service. The availability period must fit within the period of operation of the travel service defined in segment POP.
	2005	Date or time or period function code qualifier	M		an..3	See code list B.4.2005. Value = 273
	2380	Date or time or period text	M		an..35	Period of availability. Format = yyyy-mm-dd/yyyy-mm-dd
	2379	Date or time or period format code	C		an..3	Not applicable
	4440	Free text value	C		an..512	May be used to specify the availability days, one day by character ("0" = not available, "1" = available), starting from the first day specified in the period of availability (2380).
2160		DAYS OF WEEK SET IDENTIFIER	C	1	an..7	String data representation of local day(s) of the week (Monday = 1, Tuesday = 2, etc.). Not used if E013/4440 is used to specify the operation days

Example ASD+26++67'
= A snack is served on Saturdays and Sundays.

Level 3 - Group 4 - FRQ - Frequency

Function To provide details of frequencies.

Railway use This segment may be used to specify frequency intervals at which certain services operate.

Tag	Tag	Name	St	Rp	Frmt	Comments
E520		FREQUENCY	M	99		
	6072	Frequency value	M		n..9	Frequency interval.
	6411	Measure unit code	C		an..3	Units of measurement in which the frequency value is expressed. See code list B.4.6411. Values = MIN, HUR. Default = minutes.
	2380	Date or time or period text	C		an..35	Mandatory. Frequency first and last time. Format = hhmm/hhmm
	2379	Date or time or period function code qualifier	C		an..3	Not applicable

Example FRQ+30:MIN:0600/2100'
= the service operates every 30 minutes from 6 a.m. to 9 p.m.

Level 3 - Group 5 - SER - Facility information

Function To provide additional service information, followed by the period and days of operation.
Railway use • This segment triggers Group 5, which specifies information about facilities available with the given transport service only for the given period of operation defined in POP. This information can be repeated. The segment allows the definition of a sub-period, or specific days of the weeks for which the facility is available.
Each SET segment specifies one and only one facility. Repeat the segment as required (up to 99 times).

Tag	Tag	Name	St	Rp	Frmt	Comments
E965		FACILITIES	M	99		One and only one occurrence of this composite is used.
	9039	Facility type description code	C		an..3	Mandatory. See code list B.4.9039.
	9038	Facility type description	C		an..70	Not applicable
	7133	Product details type code qualifier	C		an..3	Not applicable
	7037	Characteristic description code	C		an..17	Reservation information concerning the facility. This information can be repeated. See code list B.4.7037. Values = 11, 12, 13, 14, 15, 16, 17, 18, 19, 20, 21, 22, 23, 25, 26, 27, 28
1229		ACTION REQUEST/NOTIFICATION DESCRIPTION CODE	C		an..3	Not applicable.
6350		UNITS QUANTITY	C		n..15	Number of facilities available in the service.
E013		DATE AND TIME INFORMATION	C	99		One occurrence only. Definition of the availability period of the facility. If omitted: always available during the operation period of the travel service. The availability period must fit within the period of operation of the travel service defined in segment POP.
	2005	Date or time or period function code qualifier	M		an..3	See code list B.4.2005. Value = 273.
	2380	Date or time or period text	M		an..35	Period of availability. Format = yyyy-mm-dd/yyyy-mm-dd
	2379	Date or time or period format code	C		an..3	Not applicable
	4440	Free text value	C		an..512	May be used to specify the availability days, one day by character ("0" = not available, "1" = available), starting from the first day specified in the period of availability (2380).
2160		DAYS OF WEEK SET IDENTIFIER	C	1	an..7	String data representation of local day(s) of the week (Monday = 1, Tuesday = 2, etc.). Not used if E013/4440 is used to specify the operation days

Example SER+33::::2:13+273:1997-06-01/1997-09-30'
= From 1 June 1997 until 30 September 1997, the service includes 2 video coaches (33) wherein reservation is compulsory (13).

European Railway Agency

ERA/TD/2009-07/INT: ANNEX B.4 of TAP TSI

Level 4 - Group 5 - ASD - Service details

Function To specify the time, date, location and additional characteristic information related to a service.
Railway use This segment may be used to specify any extra service available within a given facility.
 The ASD segment can describe only one service and cannot be repeated.

Tag	Tag	Name	St	Rp	Frmt	Comments
E959		SERVICE DETAILS	M	99		One occurrence only.
	7161	Special service, coded	M		an..3	Identification of the extra service. See code list B.4.7161.
	2002	Time value	C		n4	Extra service first time or additional first time (format = hhmm).
	2002	Time value	C		n4	Extra service last time or additional last time (format = hhmm).
	2000	Date value	C		an..14	Not applicable
	3224	Location name	C		an..70	Not applicable
	3225	Location name code	C		an..25	Not applicable
	3227	Location function code qualifier	C		an..3	Not applicable
	7037	Characteristic description code	C		an..17	Reservation information concerning the extra service. See code list B.4.7037. Values = 11, 12, 13, 14, 15, 16, 17, 18, 19, 20, 21, 22, 23
	3223	First related location name code	C		an..25	Not applicable
	3207	Country name code	C		an..3	Not applicable
	7160	Special service description	C		an..35	Not applicable
	7036	Characteristic description	C		an..35	Not applicable
	1229	Action request/notification description code	C		an..3	Not applicable
	3233	Second related location name code	C		an..25	Not applicable
	3453	Language name code	C		an..3	Not applicable
	6072	Frequency value	C		n..9	Frequency interval of the extra service.
	6411	Measurement unit code	C		an..3	Measure unit in which the frequency value is expressed. See code list B.4.6411. Values = MIN, HUR.
	6060	Quantity	C		an..35	
	3036	Party name	C		an..35	
E013		DATE AND TIME INFORMATION	C	99		One occurrence only. Definition of the availability period of the extra service. If omitted: always available during the availability period of the facility The availability period must fit within the period of availability of the facility defined in segment SER
	2005	Date or time or period function code qualifier	M		an..3	See code list B.4.2005. Value = 273
	2380	Date or time or period text	M		an..35	Period of availability. Format = yyyy-mm-dd/yyyy-mm-dd
	2379	Date or time or period format code	C		an..3	Not applicable
	4440	Free text value	C		an..512	May be used to specify the availability days, one day by character ("0" = not available, "1" = available), starting from the first day specified in the period of availability (2380).
2160		DAYS OF WEEK SET IDENTIFIER	C	1	an..7	String data representation of local day(s) of the week (Monday = 1, Tuesday = 2, etc.). Not used if E013/4440 is used to specify the operation days

Example ASD+26++67 '
= On Saturday and Sunday, snacks are available in the given facility.

Level 3 - Group 6 - DTI - Date and time information

Function To specify the date, and/or time, or period.

Railway use

- This segment triggers Group 6, which specifies special days to be added to, or excluded from, the period of operation. This Group should not be used if the main period description in segment POP is given by using POP/E013/4440 (string of operation days, one day by character ("0" = not operational, "1" = operational))
- This segment specifies a special day or period.

Tag	Tag	Name	St	Rp	Frmt	Comments
E013		DATE AND TIME INFORMATION	M	9		Definition of a day or period to be added to or excluded from the period of operation.
	2005	Date or time or period function code qualifier	M		an..3	See code list B.4.2005. Values = 62, 66, 68, 70
	2380	Date or time or period text	M		an..35	Date or period. Format = - if 2005 = 66 or 68: yyyy-mm-dd/yyyy-mm-dd - if 2005 = 62 or 70: yyyy-mm-dd
	2379	Date or time or period format code	C		an..3	Not applicable
	4440	Free text value	C		an..512	Not applicable
E014		TIME REFERENCE DETAILS	C	99		
	1154	Reference identifier	C		an..35	Not applicable
	1153	Reference function code qualifier	C		an..3	Not applicable

Example DTI+62:1997-12-25 '
= 25 December is to be excluded from the period of operation.

Level 4 - Group 6 - IFT - Interactive free text

Function To provide free form information.

Railway use This segment may be used to convey a free-text description of the special day or period.

Tag	Tag	Name	St	Rp	Frmt	Comments
E971		FREE TEXT QUALIFICATION	C	1		
	4451	Text subject code qualifier	M		an..3	See code list B.4.4451. Value = BLO
	4473	Information type code	C		an..4	Not applicable
	4405	Status description code	C		an..3	Not applicable
	3036	Party name	C		an..35	Not applicable
	3453	Language name code	C		an..3	See code list ISO 639-1
4440		FREE TEXT VALUE	C	99	an..512	Mandatory. Free-text description of the special day or period. Only one occurrence of the data element is used.

Example IFT+BLO:::::EN+CHRISTMAS'

Level 3 - Group 7 - POR - Location and/or related time information

Function To provide information about a location relating to a service in the following sequence: arrival time, departure time, arrival sub-location and departure sub-location, traffic restrictions.

- Railway use*
- This segment triggers Group 7, which may be used to provide information related to a location used for a given service. For coach groups, only the locations where they are added to a train are mentioned and the terminus if different from the terminus of the train to which it was added.
 - This segment specifies a location and the corresponding arrival and departure information.
 - In the message, the locations must occur in the same order as they occur in the service itinerary.
 - Border stations and significant via stations which are linked to fare definitions (technical documents B.1, B.2, B.3) must be indicated in the timetable with their passing time.

Tag	Tag	Name	St	Rp	Frmt	Comments
E517		LOCATION IDENTIFICATION	M	1		
	3225	Location name code	C		an..25	See code list B.4.3225.
	1131	Code list identification code	C		an..3	See code list B.4.1131 Default = 37 (Railway location)
	3055	Code list responsible agency code	C		an..3	See code list B.4.3055.
	3224	Location name	C		an..70	Not applicable
E362		RELATED TIME INFORMATION	C	2		<ul style="list-style-type: none"> • The first occurrence gives arrival time and the second departure time. • Not used for coach groups (PRD/E989/7009 = 31) • Times are given in local time (0000 to 2359).
	2002	Time value	C		n4	Vehicle time. Format = hhmm
	2002	Time value	C		n4	Passenger time. Format = hhmm
	2020	Time zone difference value	C		n..4	Not applicable
	2148	Date variation number	C		n..5	For the first occurrence of E362 (arrival), value is: -1, if arrival date is previous to departure date at the previous stop location, 0 (default), if arrival date is the same as the departure date at the previous stop location, 1, if arrival date is the day after departure date at the previous stop location. For the second occurrence of E362 (departure), value is : 0 (default), if departure date is the same as the arrival date 1, if departure date is the day after arrival date
E992		POSITION	C	2		The first occurrence gives arrival location and the second departure location.
	3223	First related location name code	C		an..25	Sub-location for vehicle.
	3233	Second related location name code	C		an..25	Sub-location for passengers.
3227		LOCATION FUNCTION CODE QUALIFIER	C	1	an..3	Function of the location for the service. See code list B.4.3227.
1050		SEQUENCE POSITION IDENTIFIER	C	1	an..10	Not applicable

Example POR+8814001+0725*0727+12'
 = The train service arrives in Bruxelles-Midi at 7.25 a.m. and leaves at 7.27. It arrives at and leaves from platform 12.

Level 4 - Group 7 - MES - Measurements

Function To specify physical measurements, including dimension tolerances, weights and counts.

Railway use This segment may be used to specify the distance to the location from the departure location of the service.

Tag	Tag	Name	St	Rp	Frmt	Comments
E175		MEASUREMENT VALUE AND DETAILS	M	9		Only one occurrence of this composite is used.
	6314	Measurement value	M		n..18	Distance.
	6411	Measure unit code	C		an..3	Mandatory. Unit of measurement. See code list B.4.6411. Values = KMT, MTR, SMI, YRD.
	6313	Measurement dimension, coded	C		an..3	Not applicable. "Distance to departure location" assumed.
	6321	Measurement significance code	C		an..3	Not applicable. "Exact value" assumed.

Example MES+25:KMT '
= The distance between the given location and the departure location of the service is 25 km.

Level 4 - Group 7 - ASD - Service details

Function TO SPECIFY THE TIME, DATE, LOCATION AND ADDITIONAL CHARACTERISTIC INFORMATION RELATED TO A SERVICE.

Railway use THIS SEGMENT MAY BE USED TO SPECIFY ANY EXTRA SERVICE ADMINISTERED AT THE GIVEN LOCATION.

The ASD segment can describe only one service. Repeat the segment as required (up to 9 times).

Tag	Tag	Name	St	Rp	Frmt	Comments
E959		SERVICE DETAILS	M	99		One occurrence only.
	7161	Special service, coded	M		an..3	Identification of the extra service. See code list B.4.7161. Values = 3, 4, 7, 9, 33 to 36, 44 and 45
	2002	Time value	C		n4	Extra service first time or additional first time (format = hhmm). When code 7161 indicates check-out (45), this field specifies the earliest check-out time.
	2002	Time value	C		n4	Extra service last time or additional last time (format = hhmm). When code 7161 indicates check-in (44), this field specifies the latest check-in time.
	2000	Date value	C		an..14	Not applicable
	3224	Location name	C		an..70	Not applicable
	3225	Location name code	C		an..25	Not applicable
	3227	Location function code qualifier	C		an..3	Not applicable
	7037	Characteristic description code	C		an..17	Reservation information concerning the extra service. See code list B.4.7037. Values = 11, 12, 13, 14, 15, 16, 17, 18, 19, 20, 21, 22, 23
	3223	First related location name code	C		an..25	Identification of the sub-location where the extra service takes place (e.g. special loading platform for vehicles).
	3207	Country name code	C		an..3	Not applicable
	7160	Special service description	C		an..35	Not applicable
	7036	Characteristic description	C		an..35	Not applicable

European Railway Agency

ERA/TD/2009-07/INT: ANNEX B.4 of TAP TSI

Tag	Tag	Name	St	Rp	Frmt	Comments
	1229	Action request/notification description code	C		an..3	Not applicable
	3233	Second related location name code	C		an..25	Identification of a second sub-location where the extra service takes place.
	3453	Language name code	C		an..3	Not applicable
	6072	Frequency value	C		n..9	Frequency interval of the extra service.
	6411	Measurement unit code	C		an..3	Measure unit in which the frequency value is expressed. See code list B.4.6411. Values = MIN, HUR.
	6060	Quantity	C		an..35	
	3036	Party name	C		an..35	
E013		DATE AND TIME INFORMATION	C	99		One occurrence only. Definition of the availability period of the extra service. If omitted: always available during the operation period of the travel service. The availability period must fit within the period of operation of the travel service defined in segment POP
	2005	Date or time or period function code qualifier	M		an..3	See code list B.4.2005. Value = 273
	2380	Date or time or period text	M		an..35	Period of availability. Format = yyyy-mm-dd/yyyy-mm-dd
	2379	Date or time or period format code	C		an..3	Not applicable
	4440	Free text value	C		an..512	May be used to specify the availability days, one day by character ("0" = not available, "1" = available), starting from the first day specified in the period of availability (2380).
2160		DAYS OF WEEK SET IDENTIFIER	C	1	an..7	String data representation of local day(s) of the week (Monday = 1, Tuesday = 2, etc.). Not used if E013/4440 is used to specify the operation days

Example ASD+7:1730:1830:::P12++12345'
= From Monday to Friday, vehicles may be loaded on the train from 5.30 p.m. to 6.30 p.m. at loading platform P12.

Level 4 - Group 7 - SER - Facility information

<i>Function</i>	To provide additional service information, followed by the period and days of operation.
<i>Railway use</i>	Not applicable: all segment related information is under group 9 (ODI).

Level 4 - Group 7 - TRF - Traffic restriction details

Function To convey certain restrictions that apply to a travel-related object.
Railway use Indication of travel restrictions related to the given location (e.g. alighting only, boarding only)

Tag	Tag	Name	St	Rp	Frmt	Comments
E007		TRAFFIC RESTRICTION DETAILS	C	5		Mandatory. This composite may be used to specify travel restrictions. One and only one occurrence of this composite is used.
	8015	Traffic restriction code	C		an..3	Mandatory. See code list B.4.8015.
	8017	Traffic restriction application code	C		an..3	Not applicable
	8035	Traffic restriction type code qualifier	C		an..3	Not applicable
	4440	Free text value	C		an..512	Not applicable

Example TRF+1'

= The service stops at the given location for boarding only.

Level 4 - Group 8 - RFR - Reference

Function

To specify a reference.

Railway use

- This segment triggers Group 8, used to reference a travel service to which the service described in PRD is related (joins, connects with, splits).
- This segment gives the identification of the related service. As in PRD, the service is identified by a concatenation of the service provider and service number (here given in the 'party name' and 'reference identifier' elements).
- If the service described in the PRD segment is a coach group, the service identified in this segment is the train to which the coach group is attached.
- If the service described in the PRD segment is not a coach group and the relation description code (9143) in the underlying RLS segment is 6 (connecting to) or 12 (change service number), the actual occurrence of group 7 (POR) should be the last for the given service (PRD).
- If the service described in the PRD segment is not a coach group and the relation description code (9143) in the underlying RLS segment is 13 (disconnect from), the actual occurrence of group 7 (POR) should be the first for the given service (PRD).

Tag	Tag	Name	St	Rp	Frmt	Comments
E506		REFERENCE	M	1		
	1153	Reference function code qualifier	M		an..3	See code list B.4.1153. Value = AUE
	1154	Reference identifier	C		an..35	Mandatory. Service number
	1156	Document line identifier	C		an..6	Not applicable
	4000	Reference version number	C		an..35	Not applicable
	3036	Party name	C		an..35	Mandatory. Service Provider; See code list B.4.3039.

Example

RFR+AUE:39:::0088'
= Reference to the train service SNCB-39.

Level 5 - Group 8 - RLS - Relationship

Function

To identify the direct relationship between the data/information contained in one segment and the data/information contained in one or more other segments.

Railway use

This segment identifies the relationship between the service defined in the PRD-segment and the service referred to by the RFR-segment (e.g. joins with, splits into).

Tag	Tag	Name	St	Rp	Frmt	Comments
9141		RELATIONSHIP TYPE CODE QUALIFIER	M	1	an..3	See code list B.4.9141. Value = 13
E941		RELATIONSHIP	C	1		
	9143	Relationship description code	C		an..3	Mandatory. See code list B.4.9143. Values = 6 = connecting to 7 = timing between services 8 = joining to 11 = splitting from 12 = number change 13 = disconnect
	1131	Code list identification code	C		an..3	Not applicable
	3055	Code list responsible agency code	C		an..3	Not applicable.
	9142	Relationship description	C		an..35	Not applicable

Example

RLS+13+8'
= The service defined in the PRD segment joins with the service specified in the RFR segment.

Level 5 - Group 8 - TCE - Time and certainty

Function To specify the time and certainty of an event.

- Railway use*
- This segment may be used to specify the connection time and the characteristic of the connection.
 - If Gr8/RLS/E941/9143 = 7 (time between services), this segment is mandatory.

Tag	Tag	Name	St	Rp	Frmt	Comments
2380		DATE OR TIME OR PERIOD TEXT	C	1	an..35	Connection time expressed in minutes.
E946		CERTAINTY	C	1		
	4049	Certainty description code	C		an..3	Reliability of the connection. See code list B.4.4049. Values = 1, X02, X03, X04
	4048	Certainty description	C		an..35	Free-text description of the certainty.
	3453	Language name code	C		an..3	Language in which the characteristic is expressed. See code list ISO 639-1.
	3055	Code list responsible agency code	C		an..3	Not applicable.

Example TCE+12+1'
= The connection time between the two services is 12 minutes. The connection is guaranteed.

Level 3 - Group 9 - ODI - Origin and destination details

Function To convey first the origin and then the final destination of a journey.

- Railway use*
- This segment triggers Group 9, which may be used to convey information related to a segment of a given travel service.
 - This segment specifies a travel segment.

Tag	Tag	Name	St	Rp	Frmt	Comments
3225		LOCATION NAME CODE	C	2	an..25	<ul style="list-style-type: none"> • Both occurrences are mandatory. • First and second location delimiting the travel segment See code list B.4.3225
1050		SEQUENCE POSITION IDENTIFIER	C	2	an..10	May be used to specify the sequence number of the locations in the itinerary. The first occurrence relates to the first location (3225), the second to the second one. Both occurrences are mandatory if the train service calls more than once at a given location (looping route).

Example ODI+8814001*8841004+2*5'
= The travel segment is delimited by Bruxelles-Midi (2nd location in the itinerary of the travel service) and Liège-Guillemins (5th location in the itinerary).

Level 4 - Group 9 - PDT - Product information

Function To specify details relating to a product such as configuration and availability.

- Railway use* This segment may be used to specify the category of the service for a given travel segment. No more than one occurrence may be used. The segment is not used in case the service mode (7009/1) in PRD is coach group (value = 31).

Tag	Tag	Name	St	Rp	Frmt	Comments
7133		PRODUCT DETAILS TYPE CODE QUALIFIER	C	1	an..3	Not applicable
E996		PRODUCT CLASS DETAILS	C	26		Mandatory. One and only one occurrence of this composite is used.

European Railway Agency

ERA/TD/2009-07/INT: ANNEX B.4 of TAP TSI

Tag	Tag	Name	St	Rp	Frmt	Comments
	7037	Characteristic description code	C		an..17	Reservation status. See code list B.4.7037. Valid on the part of the itinerary indicated in the ODI segment.
	4510	Requested information description	C		an..35	Not applicable
	7161	Special service description code	C		an..3	Not applicable
	7009	Item description code	C		an..17	Mandatory. Service brand. See code list B.4.7009. Values corresponding to a service mode (3 to 37) are not allowed.
	7009	Item description code	C		an..17	Not applicable
	7009	Item description code	C		an..17	Not applicable
	7139	Product description identification code	C		an..3	Tariff mode. Valid on the part of the itinerary indicated in the ODI segment. See code list B.4.7139.

Example PDT+:::67'
 = The service runs as an inter-regional train on the specified travel segment.

Level 4 - Group 9 - IFT - Interactive free text

<i>Function</i>	To provide free form information.
<i>Railway use</i>	Not applicable.

Level 4 - Group 9 - TRF - Traffic restriction details

Function To convey certain restrictions that apply to a travel-related object.
Railway use This segment may be used to specify restrictions related to the travel segment.

Tag	Tag	Name	St	Rp	Frmt	Comments
E007		TRAFFIC RESTRICTION DETAILS	C	5		Mandatory. This composite may be used to specify travel restriction. Only one occurrence of this composite can be used.
	8015	Traffic restriction code	C		an..3	Mandatory. See code list B.4.8015.
	8017	Traffic restriction application code	C		an..3	Not applicable
	8035	Traffic restriction type code qualifier	C		an..3	Not applicable
	4440	Free text value	C		an..512	Not applicable

Example TRF+1'
 = Only boarding of passengers is allowed on the specified segment.

Level 4 - Group 9 - TFF - Tariff information

Function To specify tariff details related to a service or product.
Railway use This segment may be used to specify tariff information related to the travel segment.:
 A mandatory rate type and, optionally, a passenger type

Tag	Tag	Name	St	Rp	Frmt	Comments
E982		TARIFF INFORMATION	C	99		Mandatory
	5263	Rate type identifier	C		an..20	Mandatory. See code list B.4.5263.
	5004	Monetary amount	C		n..18	Not applicable
	6345	Currency identification code	C		an..3	Not applicable
	5501	Rate plan code	C		an..3	Not applicable
	5025	Monetary amount type code qualifier	C		an..3	Not applicable
	2152	Period count quantity	C		n..3	Not applicable
	5377	Price change type code	C		an..3	Not applicable
	5160	Total monetary amount	C		n..20	Not applicable
	2000	Date value	C		an..14	Not applicable
	2000	Date value	C		an..14	Not applicable
	4183	Special condition code	C		an..3	Not applicable

European Railway Agency

ERA/TD/2009-07/INT: ANNEX B.4 of TAP TSI

Tag	Tag	Name	St	Rp	Frmt	Comments
E983		RATE INFORMATION	C	1		
	5234	Rate/tariff class identification	C		an..9	Not applicable
	6162	Range minimum value	C		n..18	Not applicable
	6152	Range maximum value	C		n..18	Not applicable
	7365	Processing indicator description code	C		an..3	Not applicable
	6345	Currency identification code	C		an..3	Not applicable
E984		ASSOCIATED CHARGES INFORMATION	C	99		
	5261	Charge unit code	C		an..3	see code list B.4.5261
	5004	Monetary amount	C		n..18	Not applicable
	7008	Item description	C		an..35	Not applicable
	6060	Quantity	C		n..15	Not applicable
	2155	Charge period type code	C		an..3	Not applicable
	6345	Currency identification code	C		an..3	Not applicable
	3225	Location name code	C		an..35	Not applicable
	4440	Free text value	C		an..512	Not applicable
	4440	Free text value	C		an..512	Not applicable
	4513	Maintenance operation code			an..3	Not applicable
	7299	Requirement designator code			an..3	Not applicable

Example

TFF+SP'

= A supplement is due for the specified travel segment.

Level 4 - Group 9 - ASD - Service details

Function

To specify the time, date, location and additional characteristic information related to a service.

Railway use

This segment may be used to specify any extra service administered within the travel segment during a given period of operation.

The ASD segment can describe only one service. Repeat the segment as required (up to 99 times).

Tag	Tag	Name	St	Rp	Frmt	Comments
E959		SERVICE DETAILS	M	99		One occurrence only.
	7161	Special service, coded	M		an..3	Identification of the extra service. See code list B.4.7161
	2002	Time value	C		n4	Extra service first time or additional first time (format = hhmm).
	2002	Time value	C		n4	Extra service last time or additional last time (format = hhmm).
	2000	Date value	C		an..14	Not applicable
	3224	Location name	C		an..70	Not applicable
	3225	Location name code	C		an..25	Not applicable
	3227	Location function code qualifier	C		an..3	Not applicable
	7037	Characteristic description code	C		an..17	Reservation information concerning the extra service. See code list B.4.7037. Values = 11, 12, 13, 14, 15, 16, 17, 18, 19, 20, 21, 22, 23
	3223	First related location name code	C		an..25	Not applicable
	3207	Country name code	C		an..3	Not applicable
	7160	Special service description	C		an..35	Not applicable
	7036	Characteristic description	C		an..35	Not applicable
	1229	Action request/notification description code	C		an..3	Not applicable
	3233	Second related location name code	C		an..25	Not applicable
	3453	Language name code	C		an..3	Not applicable
	6072	Frequency value	C		n..9	Frequency interval of the extra service.

European Railway Agency

ERA/TD/2009-07/INT: ANNEX B.4 of TAP TSI

Tag	Tag	Name	St	Rp	Frmt	Comments
	6411	Measurement unit code	C		an..3	Measure unit in which the frequency value is expressed. See code list B.4.6411. Values = MIN, HUR.
	6060	Quantity	C		an..35	
	3036	Party name	C		an..35	
E013		DATE AND TIME INFORMATION	C	99		One occurrence only. Definition of the availability period of the extra service. If omitted: always available during the operation period of the travel service. The availability period must fit within the period of operation of the travel service defined in segment POP
	2005	Date or time or period function code qualifier	M		an..3	See code list B.4.2005. Value = 273
	2380	Date or time or period text	M		an..35	Period of availability. Format = yyyy-mm-dd/yyyy-mm-dd
	2379	Date or time or period format code	C		an..3	Not applicable
	4440	Free text value	C		an..512	May be used to specify the availability days, one day by character ("0" = not available, "1" = available), starting from the first day specified in the period of availability (2380).
2160		DAYS OF WEEK SET IDENTIFIER	C	1	an..7	String data representation of local day(s) of the week (Monday = 1, Tuesday = 2, etc.). Not used if E013/4440 is used to specify the operation days

Example ASD+26++67'
= A snack is served on Saturdays and Sundays.

Level 4 - Group 10 - SER - Facility information

Function To provide additional service information, followed by the period and days of operation.
Railway use

- This segment triggers Group 10, which may be used to specify information about facilities available with a given travel segment. This information can be repeated.

Each SER segment specifies one and only one facility. Repeat as required (up to 99 times).

Tag	Tag	Name	St	Rp	Frmt	Comments
E965		FACILITIES	M	99		One and only one occurrence of this composite is used.
	9039	Facility type description code	C		an..3	Mandatory. See code list B.4.9039.
	9038	Facility type description	C		an..70	Not applicable
	7133	Product details type code qualifier	C		an..3	Not applicable
	7037	Characteristic description code	C		an..17	Reservation information concerning the facility. This information can be repeated. See code list B.4.7037. Values = 11, 12, 13, 14, 15, 16, 17, 18, 19, 20, 21, 22, 23, 25, 26, 27, 28.
1229		ACTION REQUEST/NOTIFICATION DESCRIPTION CODE	C		an..3	Not applicable
6350		UNITS QUANTITY	C		n..15	Number of facilities available in the service

European Railway Agency

ERA/TD/2009-07/INT: ANNEX B.4 of TAP TSI

Tag	Tag	Name	St	Rp	Frmt	Comments
E013		DATE AND TIME INFORMATION	C	99		One occurrence only. Definition of the availability period of the facility. If omitted: always available during the operation period of the travel service. The availability period must fit within the period of operation of the travel service defined in segment POP
	2005	Date or time or period function code qualifier	M		an..3	See code list B.4.2005. Value = 273.
	2380	Date or time or period text	M		an..35	Period of availability. Format = yyyy-mm-dd/yyyy-mm-dd
	2379	Date or time or period format code	C		an..3	Not applicable
	4440	Free text value	C		an..512	May be used to specify the availability days, one day by character ("0" = not available, "1" = available), starting from the first day specified in the period of availability (2380).
2160		DAYS OF WEEK SET IDENTIFIER	C	1	an..7	String data representation of local day(s) of the week (Monday = 1, Tuesday = 2, etc.). Not used if E013/4440 is used to specify the operation days

Example

SER+33:::2:13+273:1997-06-01/1997-09-30'
= From 1 June 1997 until 30 September 1997, 2 video coaches (33) wherein reservation is compulsory (13) are available with the specified travel segment.

Level 5 - Group 10 - ASD - Service details

Function

To specify the time, date, location and additional characteristic information related to a service.

Railway use

This segment may be used to specify any extra service available within a given facility.
The ASD segment can describe only one service and cannot be repeated.

Tag	Tag	Name	St	Rp	Frmt	Comments
E959		SERVICE DETAILS	M	99		One occurrence only.
	7161	Special service, coded	M		an..3	Identification of the extra service. See code list B.4.7161.
	2002	Time value	C		n4	Extra service first time or additional first time (format = hhmm).
	2002	Time value	C		n4	Extra service last time or additional last time (format = hhmm).
	2000	Date value	C		an..14	Not applicable
	3224	Location name	C		an..70	Not applicable
	3225	Location name code	C		an..25	Not applicable
	3227	Location function code qualifier	C		an..3	Not applicable
	7037	Characteristic description code	C		an..17	Reservation information concerning the extra service. See code list B.4.7037. Values = 11, 12, 13, 14, 15, 16, 17, 18, 19, 20, 21, 22, 23
	3223	First related location name code	C		an..25	Not applicable
	3207	Country name code	C		an..3	Not applicable
	7160	Special service description	C		an..35	Not applicable
	7036	Characteristic description	C		an..35	Not applicable
	1229	Action request/notification description code	C		an..3	Not applicable
	3233	Second related location name code	C		an..25	Not applicable
	3453	Language name code	C		an..3	Not applicable
	6072	Frequency value	C		n..9	Frequency interval of the extra service.
	6411	Measurement unit code	C		an..3	Measure unit in which the frequency

European Railway Agency

ERA/TD/2009-07/INT: ANNEX B.4 of TAP TSI

Tag	Tag	Name	St	Rp	Frmt	Comments
						value is expressed. See code list B.4.6411. Values = MIN, HUR.
	6060	Quantity	C		an..35	
	3036	Party name	C		an..35	
E013		DATE/TIME/PERIOD	C	99		One occurrence only. Definition of the availability period of the extra service. If omitted: always available during the availability period of the facility The availability period must fit within the period of availability of the facility defined in segment SER
	2005	Date or time or period function code qualifier	M		an..3	See code list B.4.2005. Value = 273
	2380	Date or time or period text	C		an..35	Period of availability. Format = yyyy-mm-dd/yyyy-mm-dd
	2379	Date or time or period format code	C		an..3	Not applicable
	4440	Free text value	C		an..512	May be used to specify the availability days, one day by character ("0" = not available, "1" = available), starting from the first day specified in the period of availability (2380).
2160		DAYS OF WEEK SET IDENTIFIER	C	1	an..7	String data representation of local day(s) of the week (Monday = 1, Tuesday = 2, etc.). Not used if E013/4440 is used to specify the operation days

Example

ASD+26++67'

= On Saturdays and Sundays, snacks are available in the given facility.

Level 0 - UIT - Interactive message trailer

Function

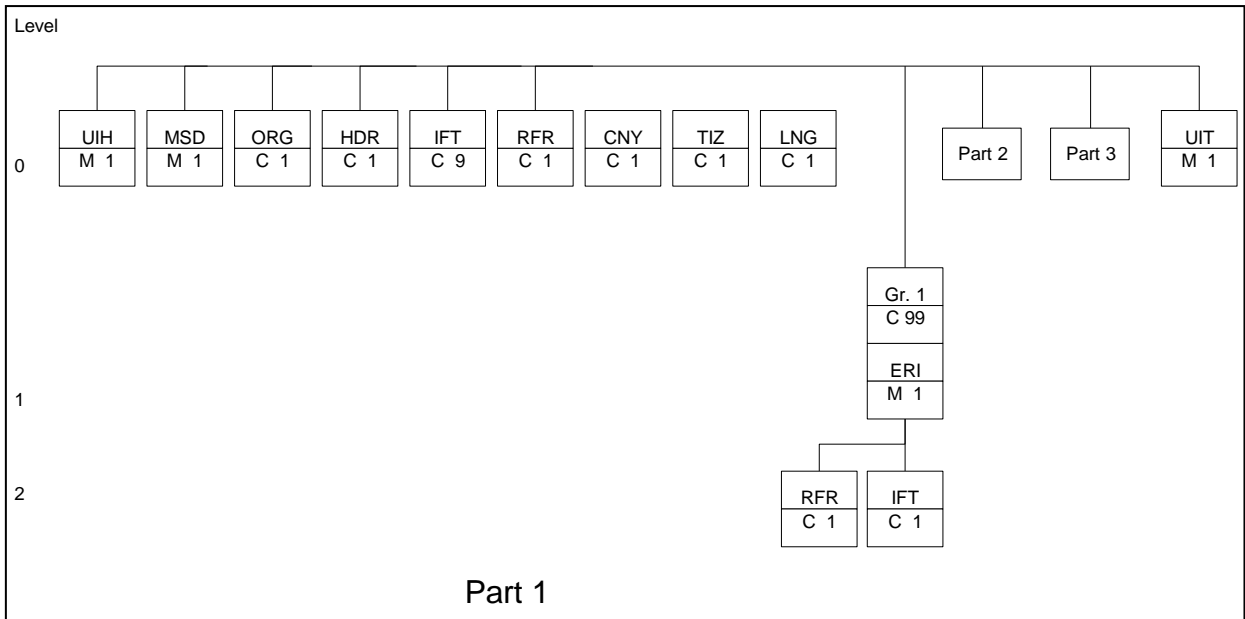
To end and check the completeness of a message.

Tag	Tag	Name	St	Rp	Frmt	Comments
0340		INTERACTIVE MESSAGE REFERENCE NUMBER	C	1	an..35	Mandatory. The value shall be identical to the value in 0340 in the corresponding UIH segment
0074		NUMBER OF SEGMENTS IN A MESSAGE	C	1	n..10	Mandatory. Number of segments, including UIH and UIT

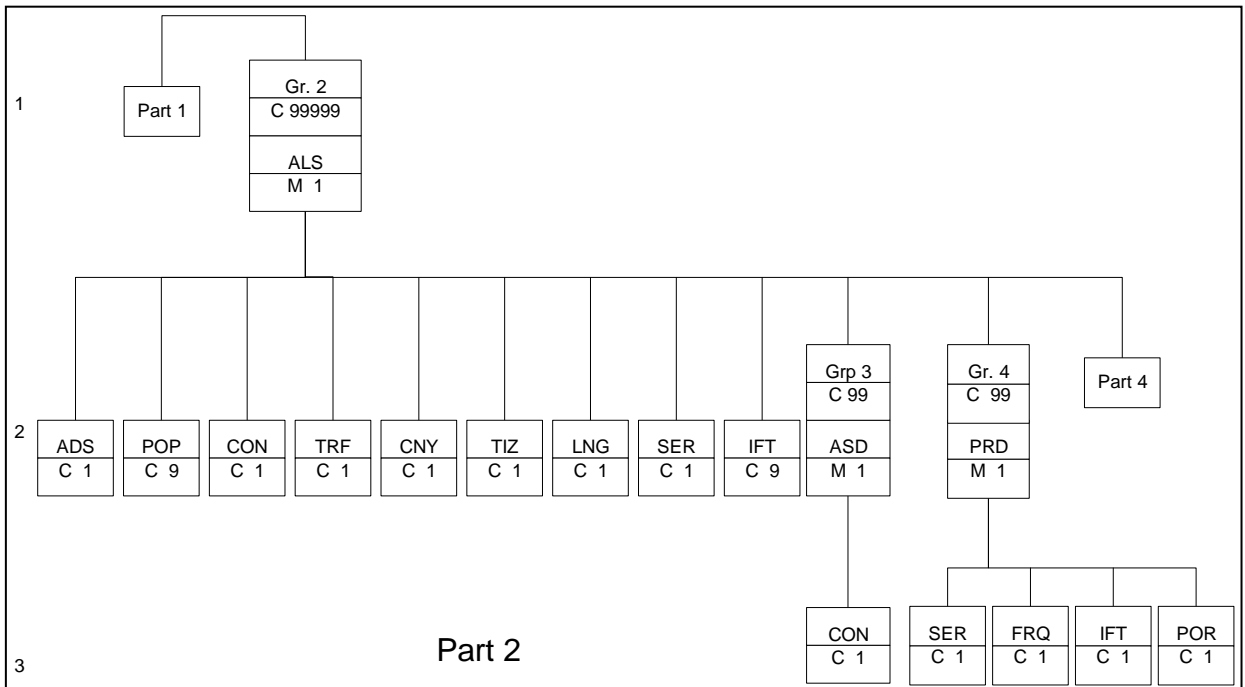
Example

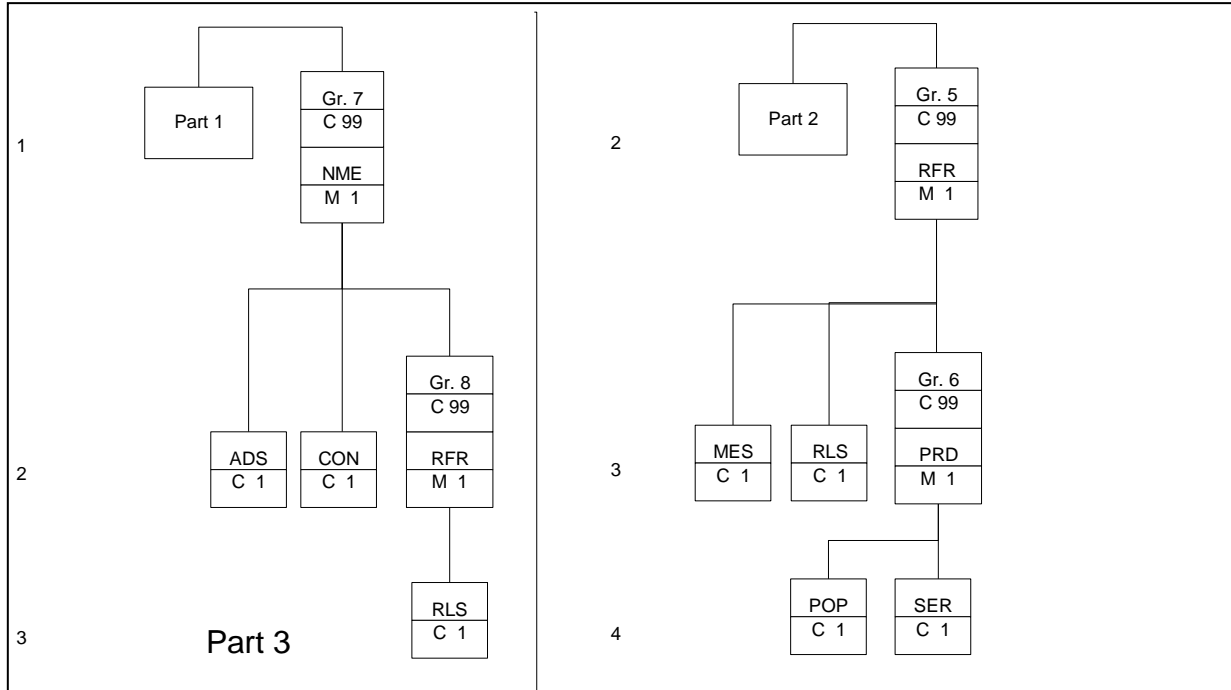
UIT+1+8'

2.4.2 TSDUPD



2.4.2.1 Branching diagram





2.4.2.2 Segment table

Pos	Tag Name	S	R
0010	UIH Interactive message header	M	1
0020	MSD Message action details	M	1
0030	ORG Originator of request details	C	1
0040	HDR Header information	C	1
0050	IFT Interactive free text	C	9
0060	RFR Reference	C	1
0070	CNY Country information	C	1
0080	TIZ Time zone information	C	1
0090	LNG Language	C	1
0100	----- Segment group 1 -----	C	99-----+
0110	ERI Application error information	M	1
0120	RFR Reference	C	1
0130	IFT Interactive free text	C	1-----+
0140	----- Segment group 2 -----	C	99999-----+
0150	ALS Additional location information	M	1
0160	ADS Address	C	1
0170	POP Period of operation	C	9
0180	CON Contact information	C	1
0190	TRF Traffic restriction details	C	1
0200	CNY Country information	C	1
0210	TIZ Time zone information	C	1
0220	LNG Language	C	1
0230	SER Facility information	C	1
0240	IFT Interactive free text	C	9
0250	----- Segment group 3 -----	C	99-----+
0260	ASD Service details	M	1
0270	CON Contact information	C	1-----+

European Railway Agency

ERA/TD/2009-07/INT: ANNEX B.4 of TAP TSI

0280	-----	Segment group 4	-----	C	99	-----+
0290	PRD	Product identification		M	1	
0300	SER	Facility information		C	1	
0310	FRQ	Frequency		C	1	
0320	IFT	Interactive free text		C	1	
0330	POR	Location and/or related time information		C	1	-----+
0340	-----	Segment group 5	-----	C	99	-----+
0350	RFR	Reference		M	1	
0360	MES	Measurements		C	1	
0365	RLS	Relationship		C	1	
0370	-----	Segment group 6	-----	C	99	-----+
0380	PRD	Product identification		M	1	
0390	POP	Period of operation		C	1	
0400	SER	Facility information		C	1	-----+++
0410	-----	Segment group 7	-----	C	99	-----+
0420	NME	Name		M	1	
0430	ADS	Address		C	1	
0440	CON	Contact information		C	1	
0450	-----	Segment group 8	-----	C	99	-----+
0460	RFR	Reference		M	1	
0470	RLS	Relationship		C	1	-----++
0480	UIT	Interactive message trailer		M	1	

2.4.2.3 Segment specifications

Level 0 - UIH - Interactive message header

Function To head, identify and specify a message.

Tag	Tag	Name	St	Rp	Frmt	Comments
S306		INTERACTIVE MESSAGE IDENTIFIER	M	1		
	0065	Message type	M		an..6	Value = TSDUPD
	0052	Message version number	M		an..3	Version number of the message type (Value = D)
	0054	Message release number	M		an..3	Release number of the message type (Value = 04A)
	0113	Message type sub-function identification	C		an..6	Not applicable
	0051	Controlling agency, coded	C		an..3	Value = UN
	0057	Association assigned code	C		an..6	Not applicable
0340		INTERACTIVE MESSAGE REFERENCE NUMBER	C	1	an..35	Mandatory. Sequence number allocated by the sender. It identifies the message within the interchange in a unique way
S302		DIALOGUE REFERENCE	C	1		Mandatory. The value(s) in S302 shall be identical to the value(s) in the S302 in the preceding UIB
	0300	Initiator control reference	M		an..35	Value shall be identical to UIB/S302/0300
	0303	Initiator reference identification	C		an..35	Not applicable
	0051	Controlling agency, coded	C		an..3	Not applicable
	0304	Responder control reference	C		an..35	Not applicable
S301		STATUS OF TRANSFER - INTERACTIVE	C	1		
	0320	Sender sequence number	C		n..6	Not applicable
	0323	Transfer position, coded	C		a1	Not applicable
	0325	Duplicate indicator	C		a1	Not applicable

European Railway Agency

ERA/TD/2009-07/INT: ANNEX B.4 of TAP TSI

Tag	Tag	Name	St	Rp	Frmt	Comments
S300		DATE AND/FOR TIME OF INITIATION	C	1		
	0338	Event date	C		n..8	Not applicable
	0314	Event time	C		an..15	Not applicable
	0336	Time offset	C		n4	Not applicable
0035		TEST INDICATOR	C	1	n1	Not applicable

Example UIH+TSDUPD:D:04A::UN+3040+DIALOG-0'.

Level 0 - MSD - Message action details

Function To specify the message processing requirements.

Railway use

- To convey delivery information (characteristic).
- No more than one delivery characteristic, defined by business function (4025) and message function (1225), shall occur in a single dialogue delimited by UIB and UIZ.

Tag	Tag	Name	St	Rp	Frmt	Comments
E972		MESSAGE PROCESSING DETAILS	C	1		
	4025	Business function code	C		an..3	Delivery characteristic (partial) Value = AAR (Rail-related business). See code list B.4.4025
	1225	Message function code	C		an..3	Delivery characteristic (partial) See code list B.4.1225 - Values = 61 or 62 (Default = 61)
	3055	Code list responsible agency code	C		an..3	Not applicable
	1225	Message function code	C		an..3	Not applicable
	1225	Message function code	C		an..3	Not applicable
	1225	Message function code	C		an..3	Not applicable
	1225	Message function code	C		an..3	Not applicable
	1225	Message function code	C		an..3	Not applicable
	1225	Message function code	C		an..3	Not applicable
	1225	Message function code	C		an..3	Not applicable
	1225	Message function code	C		an..3	Not applicable
	1225	Message function code	C		an..3	Not applicable
4343		RESPONSE TYPE CODE	C	5	an..3	Not applicable
E206		OBJECT IDENTIFICATION	C	5		
	7402	Object identifier	M		an..35	Not applicable
	7405	Object identification code qualifier	C		an..3	Not applicable
	4405	Status description code	C		an..3	Not applicable

Example MSD+AAR:61'

Level 0 - ORG - Originator of request details

Function To indicate the originator of request details.

Railway use To convey delivery information (data provider, service provider).

Tag	Tag	Name	St	Rp	Frmt	Comments
E973		DELIVERING SYSTEM DETAILS	C	1		Mandatory
	3036	Party name	C		an..35	Mandatory. Provider of the message, i.e. the company that sends the message. Use the code list B.4.3039.
	3225	Location name code	C		an..25	Not applicable
	3224	Location name	C		an..70	Not applicable
E974		ORIGINATOR IDENTIFICATION DETAILS	C	1		
	3197	Agent identifier	C		an..9	Not applicable
	3465	In-house identifier	C		an..9	Not applicable

European Railway Agency

ERA/TD/2009-07/INT: ANNEX B.4 of TAP TSI

Tag	Tag	Name	St	Rp	Frmt	Comments
	3197	Agent identifier	C		an..9	Not applicable
	3036	Party name	C		an..35	Not applicable
E975		LOCATION	C	1		
	3225	Location name code	C		an..25	Not applicable
	3224	Place/location	C		an..70	Not applicable
	3207	Country name code	C		an..3	Not applicable
	3227	Location function code qualifier	C		an..3	Not applicable
3036		PARTY NAME	C	1	an..35	Mandatory. Provider of the data contained in the message. See code list B.4.3039.
3457		ORIGINATOR TYPE CODE	C	1	an..3	Not applicable
E976		ORIGINATOR DETAILS	C	1		
	3207	Country name code	C		an..3	Not applicable
	6345	Currency identification code	C		an..3	Not applicable
	3453	Language name code	C		an..3	Not applicable
3503		ACCESS AUTHORISATION IDENTIFIER	C	1	an..9	Not applicable

Example ORG+0080+++EUROGARE'

Level 0 - HDR - Header information

Function To specify header information applicable to the entire message.

Railway use This segment is used to convey delivery information (status, reference, dates and time, etc.).

Tag	Tag	Name	St	Rp	Frmt	Comments
4405		STATUS DESCRIPTION CODE	M	1	an..3	Delivery status. See code list B.4.4405. Values = 81, 21 or 113
E013		DATE AND TIME INFORMATION	M	4		The 4 occurrences of this composite may be used to specify the delivery's: <ul style="list-style-type: none"> • First date of validity • Date and time • Creation date • Release date The qualifier (2005) specifies which of these functions the data element 2380 has.
	2005	Date or time or period function code qualifier	M		an..3	See code list B.4.2005. Values = 11 = delivery date and time 45 = creation date and time 273 = first date of validity x = delivery release date
	2380	Date or time or period text	M		an..35	The following formats are to be used: <ul style="list-style-type: none"> • delivery date/time and creation date/time: yyyy-mm-ddThhmm • first date of validity: yyyy-mm-dd
	2379	Date or time or period format code	C		an..3	Not applicable
	4440	Free text value	C		an..512	Not applicable
1154		REFERENCE IDENTIFIER	C	1	an..35	Delivery reference number. Mandatory if the message contains an update to a previous delivery or if it contains a complete delivery that may be the subject of subsequent update messages. Absent in all other cases.
4440		FREE TEXT VALUE	C	1	an..512	Delivery free format reference
7135		PRODUCT IDENTIFIER	C	2	an..35	Not applicable
3453		LANGUAGE NAME CODE	C	1	an..3	See code list ISO 639-1.

Example HDR+81+273:1996-09-29/1997-05-31*11:1996-07-20T1422*45:1996-07-20T1422+0003'

Level 1 - IFT - Interactive free text

<i>Function</i>	To provide free-form information.
<i>Railway use</i>	Not applicable

Level 1 - RFR - Reference

Function To specify a reference.

Railway use An occurrence of the RFR segment must be present if the message contains an update to a previous delivery. It shall refer to that previous delivery. As such, it enables the recipient to check the chain of updates and to identify the delivery for which this message is an update. In all other cases the segment must be absent.

Tag	Tag	Name	St	Rp	Frmt	Comments
E506		REFERENCE	M	1		
	1153	Reference function code qualifier	M		an..3	See code list B.4.1153 .Value = AGX
	1154	Reference identifier	C		an..35	Mandatory. Reference of the previous delivery.
	1156	Document line identifier	C		an..6	Not applicable
	4000	Reference version number	C		an..35	Not applicable
	3036	Party name	C		an..35	Not applicable

Example RFR+AGX:0002'

Level 1 - CNY - Country Information

Function To specify country-related information : date and time of summer or winter time transition and related time variation, currency and language(s).

Railway use At this level, the segment defines the country applicable for all locations listed thereafter.

Tag	Tag	Name	St	Rp	Frmt	Comments
3207		COUNTRY CODED	M	1	an..3	See code list ISO 3166.
E013		DATE AND TIME INFORMATION	C	2		Both occurrences may be used: the first to specify starting date of summer time and the second, the starting date of the wintertime.
	2005	Date or time or period function code qualifier	M		an..3	See code list B.4.2005. Value = 88 or 98
	2380	Date or time or period text	M		an..35	Date in format: yyyy-mm-dd
	2379	Date or time or period format code	C		an..3	Not applicable
	4440	Free text value	C		an..512	Not applicable
2705		TIME VARIATION QUANTITY	C	2	n..3	Both occurrences may be used: the first to specify the time variation expressed in hours at the start of summer time and the second, the variation at start of winter time.
6345		CURRENCY IDENTIFICATION CODE	C	1	an..3	Currency of the country. See ISO code 4217.
3453		LANGUAGE NAME CODE	C	9	an..3	Official language(s) used in the country. See code list ISO 639-1

Example CNY+BE+88:1998-03-28*98:1998-09-27+1*1'

Level 1 - TIZ - Time Zone Information

Function To provide information about a time zone.
Railway use At this level, the segment defines the default time zone applicable to all locations listed thereafter.

Tag	Tag	Name	St	Rp	Frmt	Comments
E034		TIME ZONE	M	1		
	2029	Time zone identifier	M		an..3	Identification of time zone. See code list B.4.2029.
	2020	Time zone difference value	C		n..4	Time variation toward GMT expressed in hours.

Example TIZ+WET:1'

Level 1 - LNG - Language

Function To specify a language..
Railway use At this level, the segment defines the default language applicable to all locations listed thereafter.

Tag	Tag	Name	St	Rp	Frmt	Comments
3455		LANGUAGE QUALIFIER	M	1	an..3	Type of language. See code list B.4.3455.
E508		LANGUAGE DETAILS	C	1		
	3453	Language name code	C		an..3	See code list ISO 639-1.
	3452	Language name	C		an..35	Not applicable

Example LNG+6+FR'

Level 1 - Group 1 - ERI - Application error information

Function To identify the type of application error within a message.
Railway use

- This segment triggers Group 1, which may be used by the data recipient to signal errors in the delivery message.
- The segment is used to indicate the type of error occurring.

Tag	Tag	Name	St	Rp	Frmt	Comments
E901		APPLICATION ERROR DETAILS	M	1		
	9321	Application error code	M		an..8	See code list B.4.9321
	1131	Code list identification code	C		an..3	Not applicable
	3055	Code list responsible agency code	C		an..3	Not applicable

Example

Level 2 - Group 1 - RFR - Reference

Function To specify a reference.
Railway use This segment may be used to indicate the position in the message where the error has occurred. Its use must be discussed.

Tag	Tag	Name	St	Rp	Frmt	Comments
E506		REFERENCE	M	1		
	1153	Reference function code qualifier	M		an..3	See code list. B.4.1153. Value = AWL
	1154	Reference identifier	C		an..35	Mandatory. Reference to the position of the error in the message.
	1156	Document line identifier	C		an..6	Not applicable
	4000	Reference version number	C		an..35	Not applicable
	3036	Party name	C		an..35	Not applicable

Example

Level 2 - Group 1 - IFT - Interactive free text

Function To provide free-form information.
Railway use This segment may be used to give a textual description of the error. Its use needs to be discussed.

Tag	Tag	Name	St	Rp	Frmt	Comments
E971		FREE TEXT QUALIFICATION	C	1		
	4451	Text subject code qualifier	M		an..3	See code list B.4.4451. Value = AAO
	4473	Information type code	C		an..4	Not applicable
	4405	Status description code	C		an..3	Not applicable
	3036	Party name	C		an..35	Not applicable
	3453	Language name code	C		an..3	See code list ISO 639-1
4440		FREE TEXT VALUE	C	99	an..512	Mandatory. Textual description of the error. Only one occurrence of the data element is used.

Example IFT+AAO:::::EN+DEPARTURE TIME MISSING'

Level 1 - Group 2 - ALS - Additional Location Information

Function To identify a location and specify its geographical co-ordinates.
Railway use

- This segment triggers Group 2, which specifies static information about locations.
- All stations, included border stations, must be indicated with their appropriate LOCATION FUNCTION CODE QUALIFIER.

Tag	Tag	Name	St	Rp	Frmt	Comments
3227		LOCATION FUNCTION CODE QUALIFIER	M	1	an..3	See code list B.4.3227.
E975		LOCATION	M	1		
	3225	Location name code	C		an..25	Mandatory. See code list B.4.3225
	3224	Location name	C		an..70	Mandatory. Name of the location.
	3207	Country name code	C		an..3	Not applicable
	3227	Location function code qualifier	C		an..3	Not applicable
6000		LATITUDE VALUE	C	1	an..10	Mandatory. To specify the value of latitude, the angular distance, measured in degrees, minutes, and seconds, north or south from the equator (system WGS84). Format = ddmmsx dd = degrees mm = minutes ss = seconds x = N (North) or S (South)
6002		LONGITUDE VALUE	C	1	an..11	Mandatory. To specify the value of longitude i.e. the angular distance east or west on the earth's surface, measured by the angle and expressed in degrees, minutes, and seconds, which the meridian passing through a particular place makes with a standard or prime meridian (system WGS84). Format = ddmmsx dd = degrees mm = minutes ss = seconds x = E (East) or W (West)

Example ALS+008814002:BRUXELLES MIDI

European Railway Agency

ERA/TD/2009-07/INT: ANNEX B.4 of TAP TSI

Level 2 - Group 2 - ADS - Address

Function To specify an address.
Railway use This segment may be used to specify the location address.

Tag	Tag	Name	St	Rp	Frmt	Comments
E817		ADDRESS USAGE	C	1		
	3299	Address purpose code	C		an..3	Not applicable
	3131	Address type code	C		an..3	See code list B.4.3131. Value=1
	3475	Address status code	C		an..3	See code list B.4.3475. Value=2
E001		ADDRESS DETAILS	C	1		
	3477	Address format code	M		an..3	See code list B.4.3477. Value = 5
	3286	Address component description	M		an..70	
	3286	Address component description	C		an..70	Not applicable
	3286	Address component description	C		an..70	Not applicable
	3286	Address component description	C		an..70	Not applicable
	3286	Address component description	C		an..70	Not applicable
	3286	Address component description	C		an..70	Not applicable
3164		CITY NAME	C	1	an..35	Self-explanatory
3251		POSTCODE IDENTIFICATION CODE	C	1	an..17	Self-explanatory
3207		COUNTRY NAME CODE	C	1	an..3	See code list ISO 3166
E819		COUNTRY SUB-ENTITY DETAILS	C	1		
	3229	Country sub-entity name code	C		an..9	Not applicable
	1131	Code list identification code	C		an..3	Not applicable
	3055	Code list responsible agency code	C		an..3	Not applicable
	3228	Country sub-entity name	C		an..35	Not applicable
E517		LOCATION IDENTIFICATION	M	1		
	3225	Location name code	C		an..25	Not applicable
	1131	Code list identification code	C		an..3	Not applicable
	3055	Code list responsible agency code	C		an..3	Not applicable
	3224	Location name	C		an..70	Not applicable

Example ADS+:1:2+5:48 AVENUE FONSNY+BRUSSELS+1060+BE'

Level 2 - Group 2 - POP - Period of operation

Function To specify the date or time period with days of operation.
Railway use This segment has 9 occurrences to specify a period of operation (first and last date, days in the week), opening hours, necessary connection time.

Tag	Tag	Name	St	Rp	Frmt	Comments
E013		DATE AND TIME INFORMATION	M	1		
	2005	Date or time or period function code qualifier	M		an..3	See code list B.4.2005. Values 87 = necessary connection time 273 = period of operation or first date of validity 748 = opening hours
	2380	Date or time or period text	M		an..35	Formats: Period of operation: yyyy-mm-dd/yyyy-mm-dd First date of validity: yyyy-mm-dd Connection time: hhmm Opening hours: hhmm/hhmm
	2379	Date or time or period format code	C		an..3	Not applicable
	4440	Free text value	C		an..512	Not applicable

European Railway Agency

ERA/TD/2009-07/INT: ANNEX B.4 of TAP TSI

Tag	Tag	Name	St	Rp	Frmt	Comments
2160		DAYS OF WEEK SET IDENTIFIER	C	1	an..7	String data representation of local day(s) of the week (Monday = 1, Tuesday = 2, etc.) on which the service operates.
4405		STATUS DESCRIPTION CODE	C	1	an..3	Not applicable

Example POP+273:1997-09-29/1998-05-31++1234567'

Level 2 - Group 2 - CON - Contact Information

Function To specify contact communication numbers and names.

Railway use THIS SEGMENT MAY BE USED TO PROVIDE THE PHONE NUMBER, FAX NUMBER, TELEX NUMBER AND E-MAIL ADDRESS, (IN THAT ORDER), OF THE SERVICE LOCATION ADMINISTRATOR.

Tag	Tag	Name	St	Rp	Frmt	Comments
E966		CONTACT INFORMATION	C	20		
	3035	Party function code qualifier	M		an..3	Person, bureau or other instance that keeps the specified communication number. See code list B.4.3035.
	3148	Communication number	M		an..512	Phone number, fax number, telex and e-mail address (in that order).
	3153	Communication medium type code	C		an..3	See code list B.4.3153. Value = TE, FX, TL or EM
	3036	Party name	C		an..35	Not applicable
	1154	Reference identifier	C		an..35	Not applicable

Example CON+WF:3225259152:TE*WF:3225252952:FX*WF:EDIFER@INFOBOARD.BE:EM'
The information desk's (WF) telephone (TE), fax (FX) and e-mail (EM) numbers/addresses

Level 2 - Group 2 - TRF - Traffic restriction details

Function To convey certain restrictions that apply to a travel-related object.

Railway use THIS SEGMENT MAY BE USED TO SPECIFY RESTRICTIONS RELATED TO THE LOCATION.

Tag	Tag	Name	St	Rp	Frmt	Comments
E007		TRAFFIC RESTRICTION DETAILS	C	5		Mandatory
	8015	Traffic restriction code	C		an..3	Mandatory. See code list B.4.8015.
	8017	Traffic restriction application code	C		an..3	Not applicable
	8035	Traffic restriction type code qualifier	C		an..3	Not applicable
	4440	Free text value	C		an..512	Not applicable

Example TRF+1'

Level 2 - Group 2 - CNY - Country Information

Function To specify country-related information: date and time of summer or winter time transition and related time variation, currency and language(s).

Railway use At this level, the segment defines the country if different from the default country specified in the segment CNY (level 1).

Tag	Tag	Name	St	Rp	Frmt	Comments
3207		COUNTRY CODED	M	1		See code list ISO 3166.
E013		DATE AND TIME INFORMATION	C	2		Both occurrences may be used: the first to specify the starting date of summer time and the second the starting date of the wintertime.

European Railway Agency

ERA/TD/2009-07/INT: ANNEX B.4 of TAP TSI

Tag	Tag	Name	St	Rp	Frmt	Comments
	2005	Date or time or period function code qualifier	M		an..3	See code list B.4.2005. Value = 88 or 98
	2380	Date or time or period text	M		an..35	Date in format: yyyy-mm-dd
	2379	Date or time or period format code	C		an..3	Not applicable
	4440	Free text value	C		an..512	Not applicable
2705		TIME VARIATION	C	2	n..3	Both occurrences may be used: the first to specify the time variation expressed in hours at the start of summer time and the second the variation at the start of winter time.
6345		CURRENCY IDENTIFICATION CODE	C	1	an..3	Currency of the country. See code list ISO code 4217..
3453		LANGUAGE NAME CODE	C	9	an..3	Official language(s) used in the country. See code list ISO 639-1

Example CNY+BE+88:1998-03-28*98:1998-09-27+1*1'

Level 2 - Group 2 - TIZ - Time Zone Information

Function To provide information about a time zone.

Railway use At this level, the segment defines the time zone if different from the default time zone specified in the segment TIZ at level 1.

Tag	Tag	Name	St	Rp	Frmt	Comments
E034		TIME ZONE	M	1		
	2029	Time zone identification	M		an..3	Identification of time zone. See code list B.4.2029..
	2020	Time zone difference value	C		n..4	Time variation toward GMT expressed in hours.

Example TIZ+WET:1'

Level 2 - Group 2 - LNG - Language

Function To specify a language.

Railway use At this level, the segment defines the default language if different from the default language specified in the segment LNG at level 1.

Tag	Tag	Name	St	Rp	Frmt	Comments
3455		LANGUAGE QUALIFIER	M	1	an..3	Type of language. See code list B.4.3455.
E508		LANGUAGE DETAILS	C	1		
	3453	Language name code	C		an..3	See code list ISO 639
	3452	Language name	C		an..35	Not applicable

Example LNG+6+EN'

Level 2 - Group 2 - SER - Facility information

Function To provide additional service information, followed by the period and days of operation.

Railway use THIS SEGMENT MAY BE USED TO SPECIFY MEANS OF TRANSPORT ALLOWING THE TRAVELLER TO CONTINUE HIS JOURNEY AND AVAILABLE AT THIS LOCATION.

Tag	Tag	Name	St	Rp	Frmt	Comments
E965		FACILITIES	M	99		
	9039	Facility type description code	C		an..3	Mandatory. See code list B.4.9039.
	9038	Facility type description	C		an..70	Not applicable
	7133	Product details type code qualifier	C		an..3	Not applicable

Tag	Tag	Name	St	Rp	Frmt	Comments
	7037	Characteristic description code	C		an..17	Not applicable
1229		ACTION REQUEST/NOTIFICATION DESCRIPTION CODE	C		an..3	Not applicable
6350		UNITS QUANTITY	C		n..15	Not applicable
E013		DATE AND TIME INFORMATION	C	99		Not applicable
	2005	Date or time or period function code qualifier	M		an..3	Not applicable
	2380	Date or time or period text	M		an..35	Not applicable
	2379	Date or time or period format code	C		an..3	Not applicable
	4440	Free text value	C		an..512	Not applicable
2160		DAYS OF WEEK SET IDENTIFIER	C	1	an..7	Not applicable

Example SER+101'
Metro connection

Level 2 - Group 2 - IFT - Interactive free text

Function To provide free-form information.

Railway use This segment may be used to specify additional location names, e.g. names/alias names in other languages, or names that are restricted in length.

Tag	Tag	Name	St	Rp	Frmt	Comments
E971		FREE TEXT QUALIFICATION	C	1		
	4451	Text subject code qualifier	M		an..3	See code list B.4.4451. Value = AGW, X02
	4473	Information type code	C		an..4	Not applicable
	4405	Status description code	C		an..3	Not applicable
	3036	Party name	C		an..35	Not applicable
	3453	Language name code	C		an..3	See code list ISO 639-1
4440		FREE TEXT VALUE	C	99	an..512	Mandatory. Name of the location in the language specified in 3453. When element E971/4451 is set to X02 (Location short name), the length of location must not exceed 17 characters.

Example IFT+AGW::::FR+AIX LA CHAPELLE'
IFT+AGW::::NL+AKEN'

Level 2 - Group 3 - ASD - Service details

Function To specify the time, date, location and additional characteristic information related to a service.

Railway use

- This segment triggers the Group 3, which specifies service available in the Service Location.
- This segment may be used to identify a service

The ASD segment can describe only one service. Repeat the segment as required (up to 99 times).

Tag	Tag	Name	St	Rp	Frmt	Comments
E959		SERVICE DETAILS	M	99		One occurrence only.
	7161	Special service, coded	M		an..3	Identification of the extra service. See code list B.4.7161.
	2002	Time value	C		n4	Extra service first time or additional first time (format = hhmm).
	2002	Time value	C		n4	Extra service last time or additional last time (format = hhmm).
	2000	Date value	C		an..14	Not applicable
	3224	Location name	C		an..70	Not applicable

European Railway Agency

ERA/TD/2009-07/INT: ANNEX B.4 of TAP TSI

Tag	Tag	Name	St	Rp	Frmt	Comments
	3225	Location name code	C		an..25	Not applicable
	3227	Location function code qualifier	C		an..3	Not applicable
	7037	Characteristic description code	C		an..17	Not applicable
	3223	First related location name code	C		an..25	Exact location of the service
	3207	Country name code	C		an..3	Not applicable
	7160	Special service description	C		an..35	Not applicable
	7036	Characteristic description	C		an..35	Not applicable
	1229	Action request/notification description code	C		an..3	Not applicable
	3233	Second related location name code	C		an..25	Not applicable
	3453	Language name code	C		an..3	Not applicable
	6072	Frequency value	C		n..9	Not applicable
	6411	Measurement unit code	C		an..3	Not applicable
	6060	Quantity	C		an..35	
	3036	Party name	C		an..35	
E013		DATE AND TIME INFORMATION	C	99		One occurrence only. Definition of the availability period of the extra service. If omitted: always available.
	2005	Date or time or period function code qualifier	M		an..3	See code list B.4.2005. Value = 273
	2380	Date or time or period text	M		an..35	Period of availability. Format = yyyy-mm-dd/yyyy-mm-dd
	2379	Date or time or period format code	C		an..3	Not applicable
	4440	Free text value	C		an..512	Not applicable
2160		DAYS OF WEEK SET IDENTIFIER	C	1	an..7	String data representation of local day(s) of the week (Monday = 1, Tuesday = 2, etc.).

Example ASD+26++67'
= A snack is served on Saturdays and Sundays.

Level 3 - Group 3 - CON - Contact Information

Function To specify contact communication numbers and names.
Railway use THIS SEGMENT MAY BE USED TO PROVIDE THE PHONE AND FAX NUMBER OF THE SERVICE PROVIDER.

Tag	Tag	Name	St	Rp	Frmt	Comments
E966		CONTACT INFORMATION	C	20		
	3035	Party function code qualifier	M		an..3	See code list B.4.3035. Value = HN
	3148	Communication number	M		an..512	Phone number and fax number
	3153	Communication medium type code	C		an..3	See code list B.4.3153. Value = TE or FX
	3036	Party name	C		an..35	Not applicable
	1154	Reference identifier	C		an..35	Not applicable

Example CON+HN:3225252989:TE'

Level 2 - Group 4 - PRD - Product identification

<i>Function</i>	To identify a product.
<i>Railway use</i>	Not applicable

Level 3 - Group 4 - SER - Facility information

<i>Function</i>	To provide additional service information, followed by the period and days of operation.
<i>Railway use</i>	NOT APPLICABLE

Level 3 - Group 4 - FRQ - Frequency

<i>Function</i>	To provide details of frequencies.
<i>Railway use</i>	Not applicable

Level 3 - Group 4 - IFT - Interactive free text

<i>Function</i>	To provide free-form information.
<i>Railway use</i>	Not applicable

Level 3 - Group 4 - POR - Location and/or related time information

<i>Function</i>	To provide information about a location relating to a service in the following sequence: arrival time, departure time, arrival sub-location and departure sub-location, traffic restrictions.
<i>Railway use</i>	Not applicable

Level 2 - Group 5 - RFR - Reference

Function To specify a reference.

Railway use This segment triggers Group 5. It is used to identify a location reference related to the location described in ALS.

The relationship between locations is given by element 1153. This can be:

- Where 1153 = X01, element 1154 contains a reservation identifier for the ALS location (1153 = X01). In this case the remaining segments of Group 5 (MES and RLS) are not used.
- Where element 1153 = AWN, element 1154 contains the timetable identifier of a location (location name code) to which the location described in ALS is related. In this case element RLS/E941/9143 is used to specify further the type of relationship which can be:
 - 9143 = 6: There is the possibility to transfer from one location to the other in a given time (specified in segment MES).
 - 9143 = 14: The location is part of a group headed by the ALS location (e.g., stations in a tariff zone)

Tag	Tag	Name	St	Rp	Frmt	Comments
E506		REFERENCE	M	1		
	1153	Reference function code qualifier	M		an..3	See code list B.4.1153. Values: AWN: location name code X01: reservation identifier
	1154	Reference identifier	C		an..35	Mandatory. Reference to a location name code (1153 = AWN) or reference to a reservation identifier (1153 = X01)
	1156	Document line identifier	C		an..6	Not applicable
	4000	Reference version number	C		an..35	Not applicable
	3036	Party name	C		an..35	Not applicable

Example RFR+AWN:008711300'
 = Reference to location 008711300, which is 'PARIS EST'

Level 3 - Group 5 - MES - Measurements

- Function* To specify physical measurements, including dimension tolerances, weights and counts.
- Railway use*
- This segment may be used to specify the transfer time and the distance to the location referenced in Gr5/RFR from the specified location *in Gr2/ALS*.
 - Only one occurrence of E175 for transfer time (value MIN for 6411) and only one occurrence for distance (value MTR) is allowed.
 - The reference is unidirectional, i.e. it describes not the distance from the location referenced in RFR segment to the specified location.¹

Tag	Tag	Name	St	Rp	Frmt	Comments
E175		MEASUREMENT VALUE AND DETAILS	M	9		
	6314	Measurement value	M		n..18	Transfer time or distance.
	6411	Measure unit code	C		an..3	Mandatory. Unit of measurement. See code list B.4.6411. Values = MIN, MTR. At least the measurement in minutes (MIN) has to be given.
	6313	Measurement dimension, coded	C		an..3	Not applicable.
	6321	Measurement significance code	C		an..3	Not applicable. "Exact value" assumed.

Example MES+10:MIN*125:MTR'
 = The distance from the given location to the location referenced in RFR is 125 m, the transfer time between the locations is 10 Minutes.

Level 3 - Group 5 - RLS - Relationship

- Function* To identify the direct relationship between the data/information contained in one segment and the data/information contained in one or more other segments.
- Railway use* This segment identifies the relationship between the locations defined in Group1/ALS and Group5/RFR. The valid relationships are:
- Pedestrian link between two stations
 - Grouping of stations
 - Connection between a tourism location and a stations
- This segment is mandatory in Group 5 unless Group5/RFR/1153 identifies the reference to be a reservation identifier (X01).
- The segment is mandatory in case of stations with more than one location name code to link them by pedestrian links (e.g. border stations with two infrastructure managers)

Tag	Tag	Name	St	Rp	Frmt	Comments
9141		RELATIONSHIP TYPE CODE QUALIFIER	M	1	an..3	See code list B.4.9141. Value = 13
E941		RELATIONSHIP	C	1		
	9143	Relationship description code	C		an..3	Mandatory. See code list B.4.9143. Values = 6 or 14
	1131	Code list identification code	C		an..3	Not applicable
	3055	Code list responsible agency code	C		an..3	Not applicable.
	9142	Relationship description	C		an..35	Not applicable

Example RLS+13+14'
 The location specified in the RFR segment is a child of (belongs to) the location specified in the ALS segment

¹ There are a number of locations where the transfer time from the first to the second differs to the transfer time from the second to the first.

European Railway Agency

ERA/TD/2009-07/INT: ANNEX B.4 of TAP TSI

Allowed combinations of location references

Location A Function of the location (ALS/E975/3227) to which reference is made in segment RFR	Relationship code (RLS/E941/9143)	Location B Function of the location defined in segment ALS (ALS/E975/3227)	Remarks
29 (station)	6 (pedestrian link)	29 (station)	Pedestrian link (from B to A)
29 (station)	14 (is part of)	26 (city/meta station)	A belongs to the grouping of locations B
29 (station)	14 (is part of)	29 (station)	A is a substation of B
X01 (tourism location)	6 (connect to)	29 (station)	A is a tourism location accessible via station B.

Constraints:

- The location hierarchy defined in the table above consists of 3 levels:
 - substation (ALS/E975/3227 = 29)
 - (main) station (ALS/E975/3227 = 29)
 - grouping of stations (City) (ALS/E975/3227 = 26)

A station cannot be at the same time „substation“ and „main station“, nor can it be at the same time „station“ and „grouping of stations (city)“.

- A grouping of stations (city) (ALS/E975/3227 = 26) cannot be referenced by trains.
- A grouping of stations (city) (ALS/E975/3227 = 26) cannot be referenced by (pedestrian) links.

Example of related locations translated in group 2 of the TSDUPD message (the code values are fictitious):

ALS+29+008727101:Paris Nord Eurostar'	Definition of the Eurostar terminal in Paris Nord
RFR+AWN:008727103'	Reference to Paris Nord Banlieue
MES+5:MIN'	The time needed to transfer from Paris Nord Eurostar to Paris Nord Banlieue is 5 minutes
RLS+13+6'	There is a (pedestrian) connection from Paris Nord Eurostar to Paris Nord Banlieue
ALS+29+008727102:Paris Nord Grandes Lignes'	Definition of the Grandes Lignes (sub)station in Paris Nord
ALS+29+008727103:Paris Nord Banlieue'	Definition of the Banlieue (sub)station in Paris Nord
RFR+AWN:008727101'	Reference to Paris Nord Eurostar
MES+10:MIN'	The time needed to transfer from Paris Nord Banlieue to Paris Nord Eurostar is 10 minutes
RLS+13+6'	There is a (pedestrian) connection from Paris Nord Banlieue to Paris Nord Eurostar
ALS+29+008727100:Paris Nord'	Definition of station Paris Nord
RFR+AWN:008727101'	Reference to Paris Nord Eurostar
RLS+13+14'	Paris Nord Eurostar is a child of Paris Nord
RFR+AWN:008727102'	Reference to Paris Nord Grandes Lignes
RLS+13+14'	Paris Nord Grandes Lignes is a child of Paris Nord
RFR+AWN:008727103'	Reference to Paris Nord Banlieue
RLS+13+14'	Paris Nord Banlieue is a child of Paris Nord
ALS+26+008775000:Paris'	Definition of the city of Paris
RFR+AWN:008727100'	Reference to Paris Nord
RLS+13+14'	Paris Nord is a child of the city of Paris

Level 4 - Group 6 - PRD - Product identification

<i>Function</i>	To identify a product
<i>Railway use</i>	To use as a marker for the POP and SER segments

European Railway Agency

ERA/TD/2009-07/INT: ANNEX B.4 of TAP TSI

Level 4 - Group 6 - POP - Period of operation

Function To specify the date or time period with days of operation.

Railway use This segment is used to specify a period of operation (first and last date, days in the week) or the opening hours of a location connection. It shall only exist for location connections (Gr.5/RLS/E941/9143 = 6). There is only one occurrence of this segment within Group 6.

Tag	Tag	Name	St	Rp	Frmt	Comments
E013		DATE AND TIME INFORMATION	M	1		
	2005	Date or time or period function code qualifier	M		an..3	See code list B.4.2005. Values = 273 = period of operation 748 = opening hours
	2380	Date or time or period text	M		an..35	<ul style="list-style-type: none"> Period of operation. Format = yyyy-mm-dd/yyyy-mm-dd Opening hours. Format = hhmm/hhmm
	2379	Date or time or period format code	C		an..3	Not applicable
	4440	Free text value	C		an..51 2	Not applicable
2160		DAYS OF WEEK SET IDENTIFIER	C	1	an..7	String data representation of local day(s) of the week (Monday = 1, Tuesday = 2, etc.) on which the service operates.
4405		STATUS DESCRIPTION CODE	C	1	an..3	Not applicable

Example PRD' POP+273:1997-09-29/1998-05-31++1234567'

Level 4 - Group 6 - SER - Facility information

Function To provide additional service information, followed by the period and days of operation.

Railway use This segment specifies information about properties of location connections. It shall only exist for location connections (Gr.5/RLS/E941/9143 = 6). There is only one occurrence of this segment within Group 6.

Tag	Tag	Name	St	Rp	Frmt	Comments
E965		FACILITIES	M	99		
	9039	Facility type description code	C		an..3	Mandatory. See code list B.4.9039.
	9038	Facility type description	C		an..70	Not applicable
	7133	Product details type code qualifier	C		an..3	Not applicable
	7037	Characteristic description code	C		an..17	Not applicable
1229		ACTION REQUEST/NOTIFICATION DESCRIPTION CODE	C		an..3	Not applicable.
6350		UNITS QUANTITY	C		n..15	Not applicable.
E013		DATE AND TIME INFORMATION	C	99		Not applicable.
	2005	Date or time or period function code qualifier	M		an..3	Not applicable.
	2380	Date or time or period text	M		an..35	Not applicable.
	2379	Date or time or period format code	C		an..3	Not applicable
	4440	Free text value	C		an..512	Not applicable.
2160		DAYS OF WEEK SET IDENTIFIER	C	1	an..7	Not applicable.

Example PRD' SER+28 '
= The location connection is accessible by wheelchairs.

European Railway Agency

ERA/TD/2009-07/INT: ANNEX B.4 of TAP TSI

Level 1 - Group 7 - NME - Name

Function To identify the name of a person or entity.

- Railway use*
- This segment triggers Group 7, which provides information about a party.
 - This segment is used to identify and qualify a party.

Tag	Tag	Name	St	Rp	Frmt	Comments
E012		NAME INFORMATION	M	9		
	3035	Party function code qualifier	M		an..3	See code list B.4.3035. Value = DDO
	3036	Party name	C		an..35	Name of the party. See code list B.4.3039.
	3039	Party identifier	C		an..35	Identification of the party. See code list B.4.3039
	3397	Name Status description code	C		an..3	Not applicable

Example NME+DDO:SNCF:0087'

Level 2 - Group 7 - ADS - Address

Function To specify an address.

Railway use This segment may be used to specify the address of the party

Tag	Tag	Name	St	Rp	Frmt	Comments
E817		ADDRESS USAGE	C	1		
	3299	Address purpose code	C		an..3	Not applicable
	3131	Address type code	C		an..3	See code list B.4.3131. Value = 1
	3475	Address status code	C		an..3	See code list B.4.3475. Value = 2
E001		ADDRESS DETAILS	C	1		
	3477	Address format code	M		an..3	See code list B.4.3477. Value = 5
	3286	Address component description	M		an..70	
	3286	Address component description	C		an..70	Not applicable
	3286	Address component description	C		an..70	Not applicable
	3286	Address component description	C		an..70	Not applicable
	3286	Address component description	C		an..70	Not applicable
	3286	Address component description	C		an..70	Not applicable
	3164	CITY NAME	C	1	an..35	Self-explanatory
3251		POSTCODE IDENTIFICATION CODE	C	1	an..17	Self-explanatory
3207		COUNTRY NAME CODE	C	1	an..3	See code list. ISO 3166
E819		COUNTRY SUB-ENTITY DETAILS	C	1		
	3229	Country sub-entity name code	C		an..9	Not applicable
	1131	Code list identification code	C		an..3	Not applicable
	3055	Code list responsible agency code	C		an..3	Not applicable
	3228	Country sub-entity name	C		an..35	Not applicable
E517		LOCATION IDENTIFICATION	M	1		
	3225	Location name code	C		an..25	Not applicable
	1131	Code list identification code	C		an..3	Not applicable
	3055	Code list responsible agency code	C		an..3	Not applicable
	3224	Location name	C		an..70	Not applicable

Example ADS+:1:2+5:48 AVENUE FONSNY+BRUSSELS+1060+BE'

Level 2 - Group 7 - CON - Contact Information

Function To specify contact communication numbers and names.

Railway use THIS SEGMENT MAY BE USED TO PROVIDE THE COMMUNICATION NUMBER RELATED TO THE PARTY

Tag	Tag	Name	St	Rp	Frmt	Comments
E966		CONTACT INFORMATION	C	20		
	3035	Party function code qualifier	M		an..3	Person, bureau or other instance that keeps the specified communication number. See code list B.4.3035.
	3148	Communication number	M		an..512	Phone number, fax number, telex and e-mail address in that order.
	3153	Communication medium type code	C		an..3	See code list B.4.3153. Value = TE, FX, TL or EM
	3036	Party name	C		an..35	Not applicable
	1154	Reference identifier	C		an..35	Not applicable

Example CON+WF:3225253496:FX'

Level 2 - Group 8 - RFR - Reference

Function To specify a reference.

Railway use

- This segment triggers Group 8, used to refer to a party to which the party described in NME is related.
- This segment gives the identification of the related party.

Tag	Tag	Name	St	Rp	Frmt	Comments
E506		REFERENCE	M	1		
	1153	Reference function code qualifier	M		an..3	See code list B.4.1153. Value = AWO
	1154	Reference identifier	C		an..35	Mandatory.
	1156	Document line identifier	C		an..6	Not applicable
	4000	Reference version number	C		an..35	Not applicable
	3036	Party name	C		an..35	Not applicable

Example RFR+AWO:0087'

Level 3 - Group 8 - RLS - Relationship

Function To identify the direct relationship between the data/information contained in one segment and the data/information contained in one or more other segments.

Railway use This segment identifies the relationship between the party defined in the NME segment and the party referred to by the RFR segment

Tag	Tag	Name	St	Rp	Frmt	Comments
9141		RELATIONSHIP TYPE CODE QUALIFIER	M	1	an..3	See code list B.4.9141. Value = 13.
E941		RELATIONSHIP	C	1		
	9143	Relationship description code	C		an..3	Mandatory. See code list B.4.9143.
	1131	Code list identification code	C		an..3	Not applicable
	3055	Code list responsible agency code	C		an..3	Not applicable.
	9142	Relationship description	C		an..35	Not applicable

Example RLS+13+

Level 0 - UIT - Interactive message trailer

Function To end and check the completeness of a message.

Tag	Tag	Name	St	Rp	Frmt	Comments
-----	-----	------	----	----	------	----------

European Railway Agency

ERA/TD/2009-07/INT: ANNEX B.4 of TAP TSI

Tag	Tag	Name	St	Rp	Frmt	Comments
0340		INTERACTIVE MESSAGE REFERENCE NUMBER	C	1	an..35	Mandatory. The value shall be identical to the value in 0340 in the corresponding UIH segment
0074		NUMBER OF SEGMENTS IN A MESSAGE	C	1	n..10	Mandatory. Number of segments, including UIH and UIT

Example UIT+1+8'